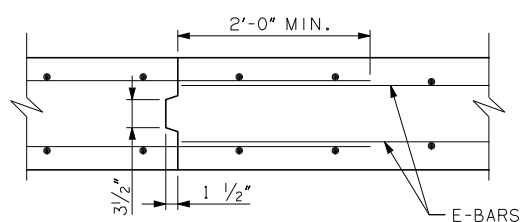
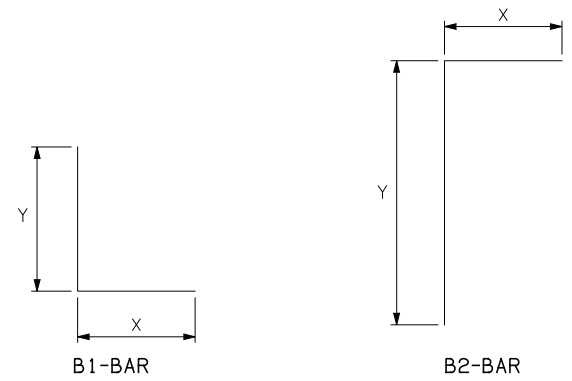


DESCRIPTION	REVISIONS	DATE

SECTION DIMENSIONS				REINFORCING STEEL																																															
				A1-BARS				A2-BARS				A3-BARS				B1-BARS				B2-BARS				C1-BARS				C2-BARS				C3-BARS				C4-BARS				E1-BARS AT 12" MAX.				E2-BARS AT 12" MAX.							
S	H	T	U	W	Z	SIZE	SPA	LENGTH	WEIGHT PER FT.	SIZE	SPA	LENGTH	WEIGHT PER FT.	SIZE	SPA	LENGTH	WEIGHT PER FT.	SIZE	SPA	*X*	*Y*	LENGTH	WEIGHT PER FT.	SIZE	SPA	*X*	*Y*	LENGTH	WEIGHT PER FT.	SIZE	SPA	LENGTH	WEIGHT PER FT.	SIZE	SPA	LENGTH	WEIGHT PER FT.	SIZE	SPA	LENGTH	WEIGHT PER FT.	NO.	SIZE	WEIGHT PER FT.	NO.	SIZE	WEIGHT PER FT.				
20'	10'	18"	19"	15"	12"	#8	6"	43'-2"	461.0	#8	6"	13'-4"	142.4	#4	6"	43'-2"	115.3	#6	6"	3'-2"	3'-4"	6'-6"	39.1	#6	6"	3'-2"	11'-4"	14'-6"	87.1	#5	12"	2'-8"	5.6	#5	12"	11'-4"	23.6	#4	12"	2'-8"	3.6	#4	12"	11'-4"	15.1	184	#4	122.9	60	#4	40.1
20'	11'	18"	19"	15"	12"	#8	6"	43'-2"	461.0	#8	6"	13'-6"	144.2	#4	6"	43'-2"	115.3	#6	6"	3'-2"	3'-4"	6'-6"	39.1	#6	6"	3'-2"	12'-4"	15'-6"	93.1	#5	12"	2'-8"	5.6	#5	12"	12'-4"	25.7	#5	12"	3'-0"	6.3	#5	12"	12'-4"	25.7	184	#4	122.9	66	#4	44.1
20'	12'	18"	19"	15"	12"	#8	6"	43'-2"	461.0	#8	6"	13'-7"	145.1	#4	6"	43'-2"	115.3	#6	6"	3'-2"	3'-4"	6'-6"	39.1	#6	6"	3'-2"	13'-4"	16'-6"	99.1	#5	12"	2'-8"	5.6	#5	12"	13'-4"	27.8	#5	12"	3'-0"	6.3	#5	12"	13'-4"	27.8	184	#4	122.9	72	#4	48.1
20'	15'	18"	19"	15"	12"	#8	6"	43'-2"	461.0	#8	6"	13'-10"	147.7	#4	6"	43'-2"	115.3	#7	6"	3'-5"	3'-10"	7'-3"	59.3	#7	6"	3'-5"	16'-4"	19'-9"	161.5	#4	12"	2'-8"	3.6	#4	12"	16'-4"	21.8	#5	6"	3'-0"	12.5	#5	6"	16'-4"	68.1	184	#4	122.9	90	#4	60.1
20'	17'	18"	19"	15"	12"	#8	6"	43'-2"	461.0	#8	6"	13'-10"	147.7	#4	6"	43'-2"	115.3	#8	6"	3'-9"	4'-7"	8'-4"	89.0	#8	6"	3'-9"	18'-4"	22'-1"	235.9	#4	12"	2'-8"	3.6	#4	12"	18'-4"	24.5	#5	6"	3'-0"	12.5	#5	6"	18'-4"	76.5	184	#4	122.9	102	#4	68.1



TRANSV. CONSTR. JOINT



BAR BEND DIAGRAMS

NOTE: ALL *X* DIMENSIONS ARE HORIZONTAL IN BARREL SECTION.
ALL *Y* DIMENSIONS ARE VERTICAL IN BARREL SECTION.

SECTION DIMENSIONS		QUANTITIES	
		PER FOOT OF BARREL	
S	H	CONC. (C.Y.)	REINF. (LB.)
20'	10'	6.26	1055.8
20'	11'	6.39	1083.0
20'	12'	6.52	1098.1
20'	15'	6.91	1233.8
20'	17'	7.17	1357.0

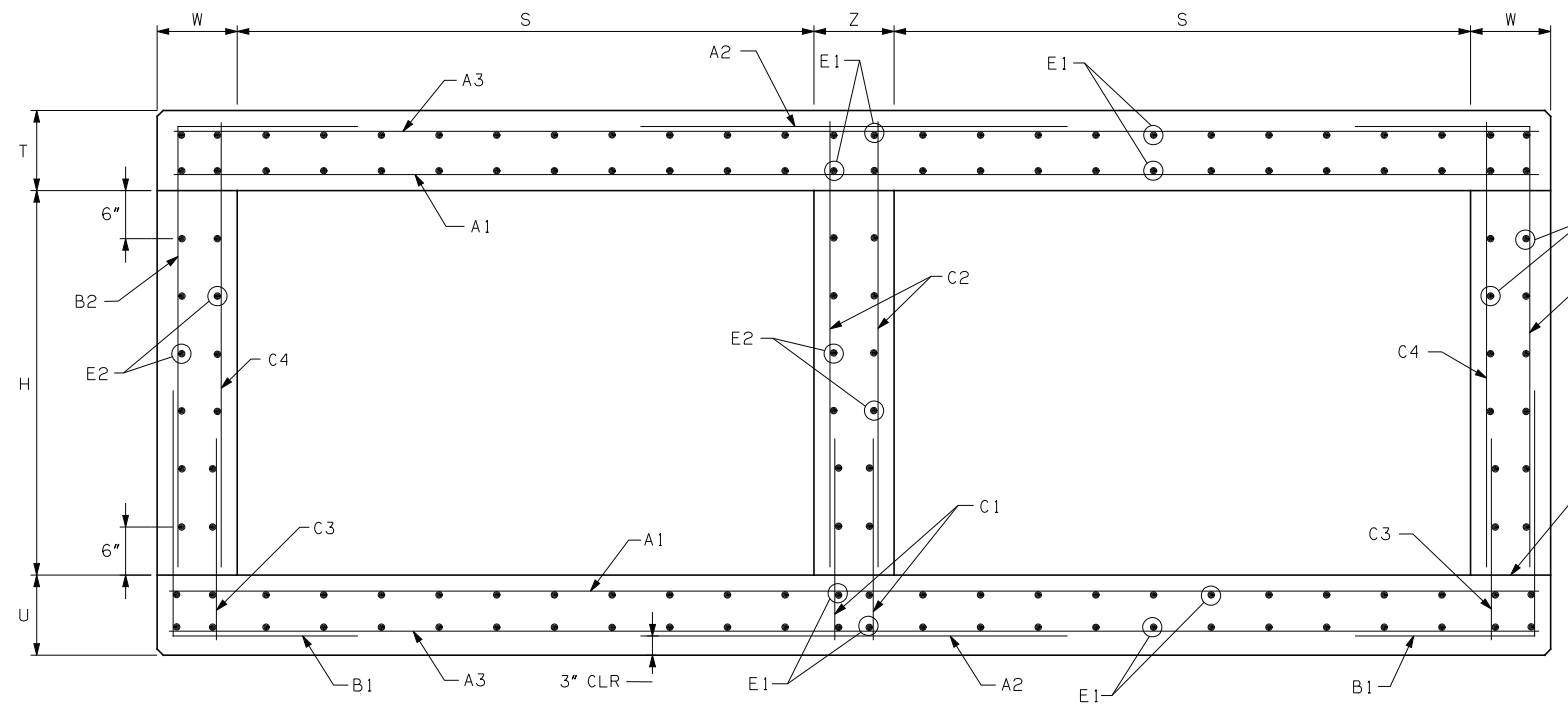
DESIGN DATA:

- DESIGNED IN ACCORDANCE WITH 2007 AASHTO LRFD BRIDGE DESIGN SPECIFICATIONS AND INTERIM SPECIFICATIONS FROM 2008.
- DESIGNED FOR HL-93 LOADING AND ODOT OVERLOAD TRUCK.
- MATERIALS:
CONCRETE (CLASS AA) $f'_c = 4$ KSI
REINFORCING STEEL $f_y = 60$ KSI

GENERAL NOTES:

- ALL CONSTRUCTION AND MATERIAL REQUIREMENTS SHALL BE IN ACCORDANCE WITH THE 2009 OKLAHOMA STANDARD SPECIFICATIONS FOR HIGHWAY CONSTRUCTION.
- ALL CONCRETE EDGES SHALL HAVE A 1 1/2" CHAMFER UNLESS OTHERWISE SHOWN OR NOTED. ALL CHAMFER STRIPS SHALL BE SIZED LUMBER.
- ALL REINFORCING STEEL SHALL HAVE A 2" MINIMUM CLEAR COVER UNLESS OTHERWISE SHOWN.
- THE QUANTITY FOR REINFORCING STEEL DOES NOT INCLUDE LAP SPLICES OF E1-BARS OR E2-BARS IN THE LENGTH OF THE BARREL OR AT TRANSVERSE CONSTRUCTION JOINTS. THE SPLICE LENGTH FOR E-BARS SHALL BE 24" MINIMUM. THE NUMBER OF SPLICES USED IS TO BE APPROVED BY THE ENGINEER. REINFORCING STEEL FOR SPLICES SHALL NOT BE MEASURED FOR PAYMENT, AND ALL COSTS WILL BE INCLUDED IN THE UNIT BID PRICE FOR REINFORCING STEEL.
- TRANSVERSE CONSTRUCTION JOINTS SHALL BE PLACED IN ALL CULVERTS 100 FT. OR MORE IN LENGTH. JOINTS SHALL BE SPACED AT 60 FT. MAX.
- REINFORCING STEEL SHALL BE CONTINUOUS THROUGH THE TRANSVERSE CONSTRUCTION JOINT AND EXTEND A MIN. OF 24" INTO ADJACENT SECTION.

BASIS OF PAYMENT		
ITEM NO.	ITEM	UNIT
509.06 (A)	CLASS AA CONCRETE	C.Y.
511.06 (A)	REINFORCING STEEL	LB.



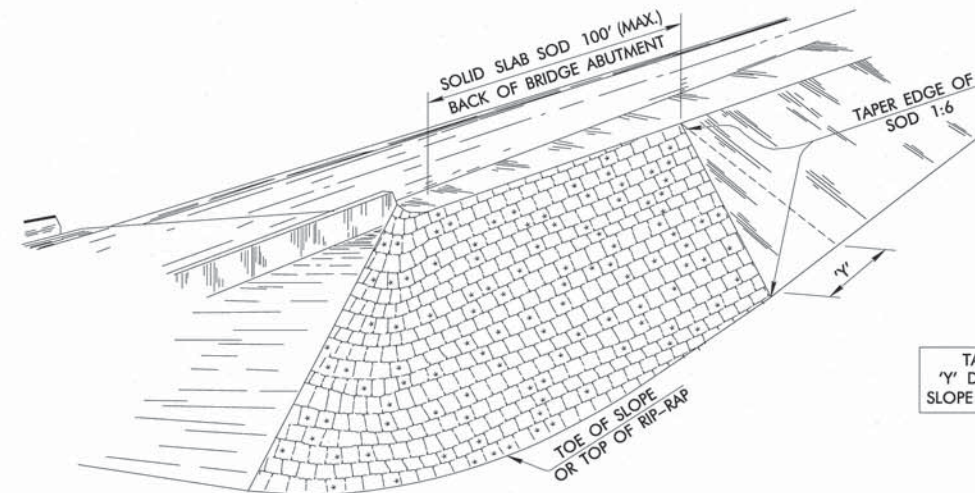
BARREL SECTION

NOTE: NUMBER AND SPACING OF E-BARS SHOWN MAY NOT BE REPRESENTATIVE OF ACTUAL CULVERT SECTIONS, SEE SCHEDULE ABOVE FOR NUMBER AND SPACING OF E-BARS.

APPROVED BY BRIDGE ENGINEER *Scott Lusk* DATE 4/2/10

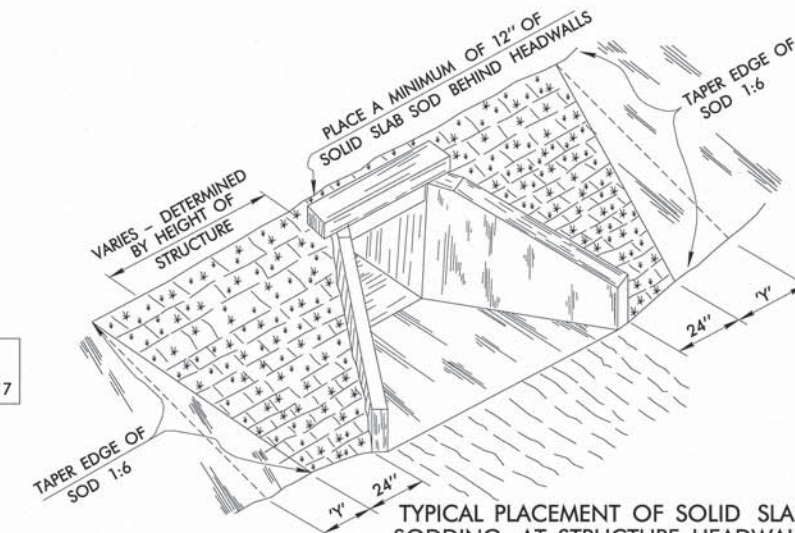
OKLAHOMA DEPT. OF TRANSPORTATION
BRIDGE STANDARD (ENGLISH)
RCB CULVERTS - BARREL DETAILS
20'-0" SPAN - DOUBLE CELL
2 FT. TO 8 FT. FILL

2009 SPECIFICATIONS RCB-C2-20(2-8) 01E
B-542E



TYPICAL PLACEMENT OF SOLID SLAB SODDING ON FILL SLOPES, APPROACHES TO OVERPASSES AND BRIDGES.

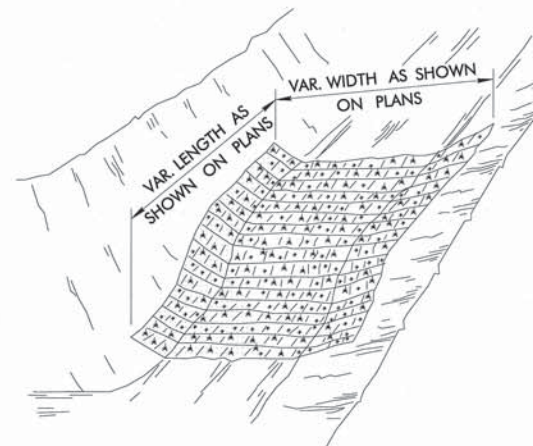
TAPER NOTE
 'Y' DIMENSION =
 SLOPE LENGTH x 0.17



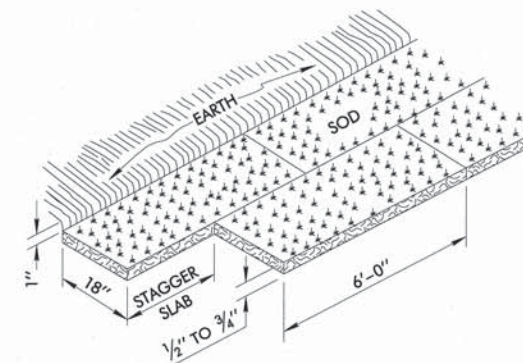
TYPICAL PLACEMENT OF SOLID SLAB SODDING AT STRUCTURE HEADWALLS

GENERAL NOTES

1. ALL CONSTRUCTION AND MATERIAL REQUIREMENTS SHALL BE IN ACCORDANCE WITH THE 2009 ODOT STANDARD SPECIFICATIONS.
2. SOLID SLAB SOD SHALL BE PLACED IN HORIZONTAL ROWS WITH THE LONGEST SIDE OF EACH SLAB RUNNING PARALLEL TO THE ROADWAY, AND THE SLABS IN ALTERNATE ROWS STAGGERED HALF THE LENGTH OF EACH INDIVIDUAL SLAB. ENSURE THE ROWS RUN PARALLEL TO THE ROADWAY.
3. SLABS SHALL BE CUT AND HARVESTED WITH A COMMERCIAL SOD CUTTER TO THE DIMENSIONS SHOWN, THEN LOADED, TRANSPORTED AND HANDLED ON PALLETS.
4. AFTER PLACEMENT OF SOLID SLAB SOD, EARTH AT THE OUTER EDGES OF THE PLACEMENT SHALL BE BACKFILLED AND LOOSELY COMPACTED TO AT LEAST 1" ABOVE THE TOP OF THE SOLID SLAB SODDING.
5. STAKE SOD ON ALL SLOPES 1:2 OR STEEPER, AND ON ANY AREAS THAT ARE IN SUCH CONDITION THAT THERE IS DANGER OF SOD SLIPPING. PERFORM STAKING CONCURRENTLY WITH SOD PLACEMENT AND PRIOR TO TAMPING WITH SOUND WOODEN STAKES APPROXIMATELY 1 INCH SQUARE OR 1 INCH IN DIAMETER AND NOT LESS THAN 12 INCHES IN LENGTH, OR USE METAL STAPLES IN PLACE OF WOODEN STAKES. PLACE, STAKE AND STAPLE THE SOD WHERE NECESSARY, AND AS DETERMINED BY THE ENGINEER.



TYPICAL PLACEMENT OF SOLID SLAB SODDING IN DITCHES



SOLID SLAB SODDING (MARCH 1 THRU AUGUST 31)

THE PLACEMENT OF SOLID SLAB SOD SHALL BE RESTRICTED TO THE PERIOD FROM MARCH 1 THRU AUGUST 31, UNLESS OTHERWISE APPROVED BY THE ENGINEER.

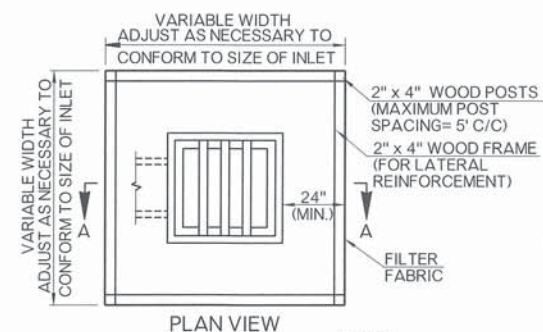
BASIS OF PAYMENT		
ITEM NO.	ITEM	UNIT
230(A)	SOLID SLAB SODDING	S.Y.



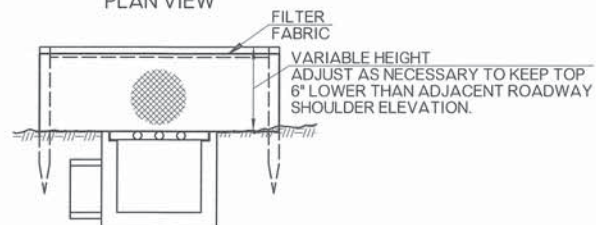
APPROVED BY ROADWAY ENGINEER: *Shirley A. Pegala* DATE: 6/24/11
 ROADWAY STANDARD

SOLID SLAB SODDING

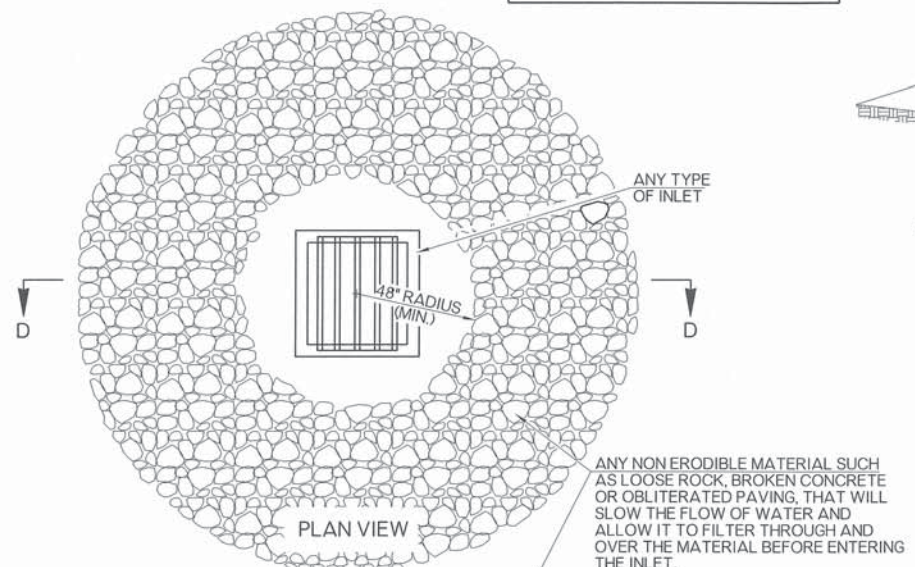
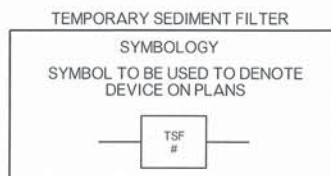
OKLAHOMA DEPARTMENT OF TRANSPORTATION	
STANDARD REVISIONS	
DESCRIPTION	DATE



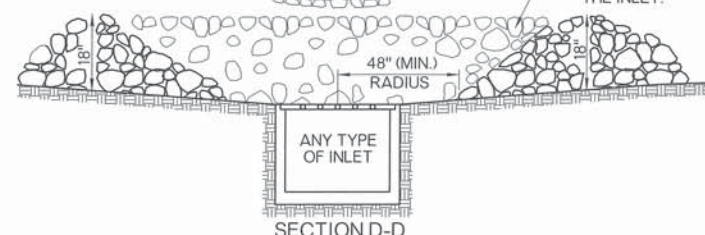
PLAN VIEW



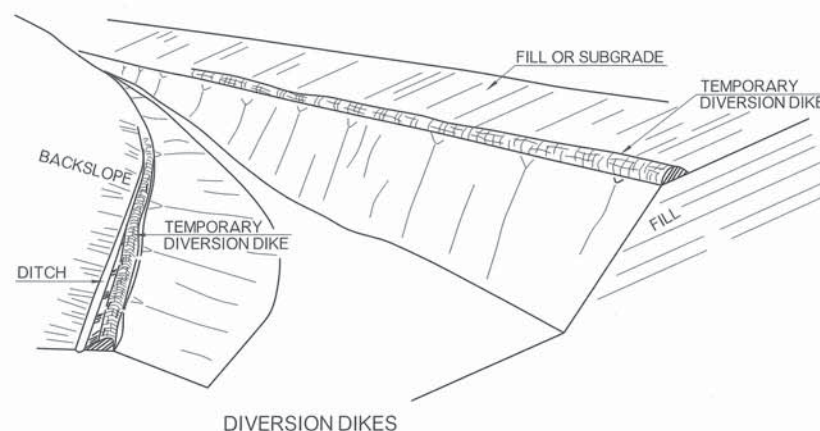
SECTION A - A
SEDIMENT FILTER



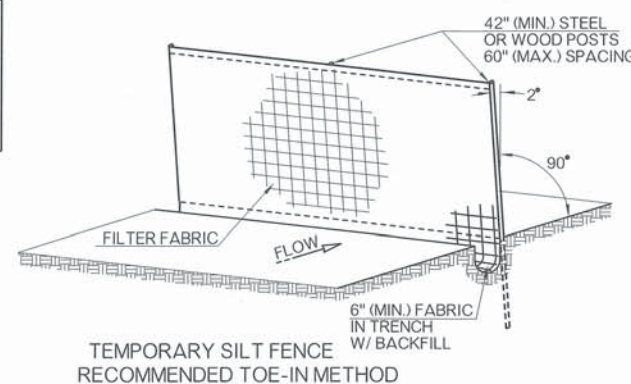
PLAN VIEW



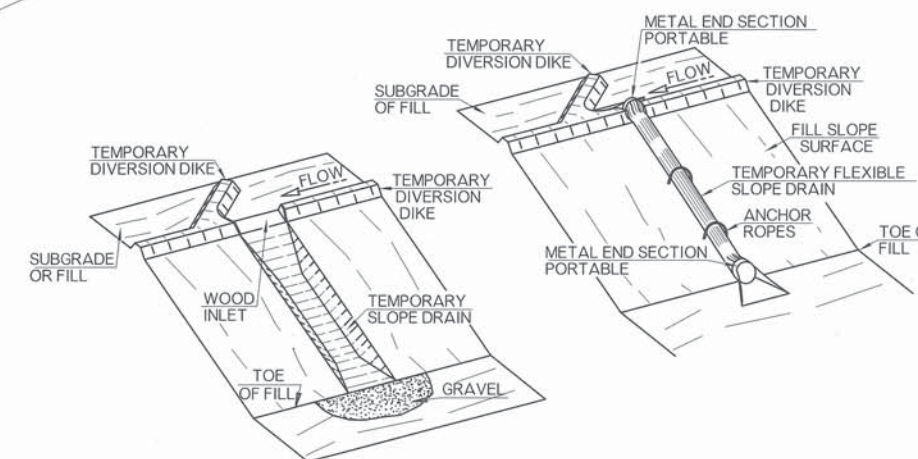
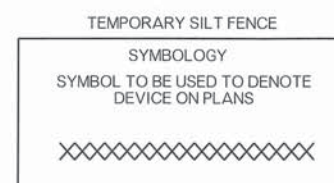
SECTION D-D
SEDIMENT FILTER
(TYPE II)



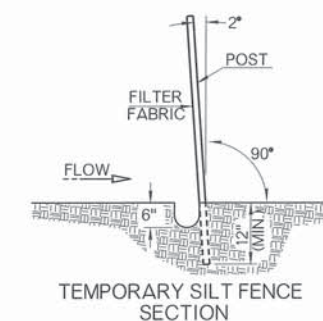
DIVERSION DIKES



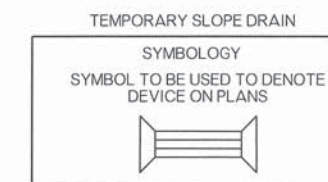
TEMPORARY SILT FENCE
RECOMMENDED TOE-IN METHOD



SLOPE DRAINS



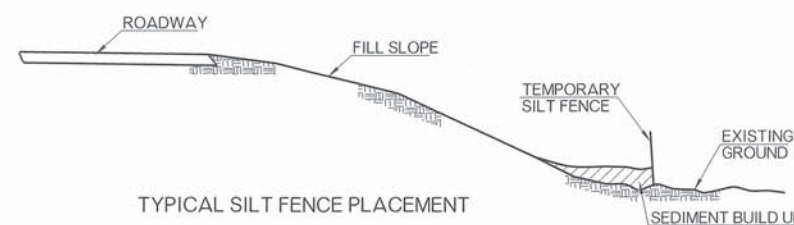
TEMPORARY SILT FENCE
SECTION



GENERAL NOTES

1. ALL CONSTRUCTION AND MATERIAL REQUIREMENTS SHALL BE IN ACCORDANCE WITH THE 2009 ODOT STANDARD SPECIFICATIONS.
2. COST OF TEMPORARY DIVERSION DIKES TO BE INCLUDED IN PRICE BID FOR OTHER ITEMS OF WORK.

BASIS OF PAYMENT		
ITEM NO.	ITEM	UNIT
221 (A)	TEMPORARY SLOPE DRAINS	LF
221 (C)	TEMPORARY SILT FENCE	LF
221 (D)	TEMPORARY SEDIMENT FILTER	EA



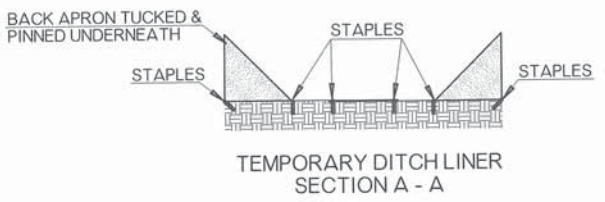
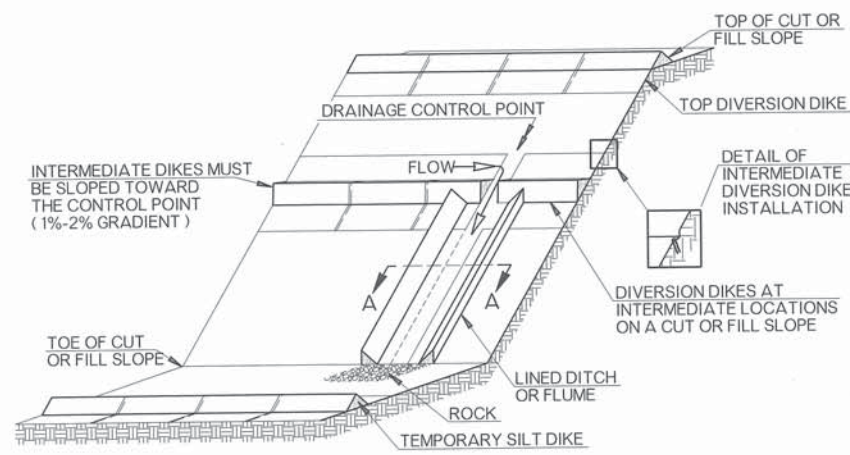
TYPICAL SILT FENCE PLACEMENT

APPROVED BY ROADWAY ENGINEER: *Calvin A. ...* DATE: *08/11/15*

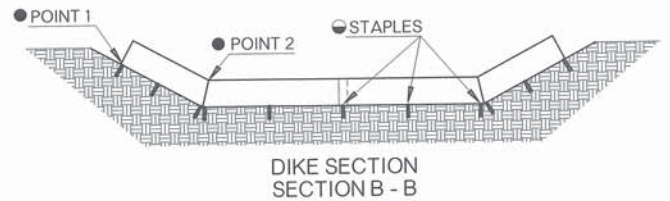
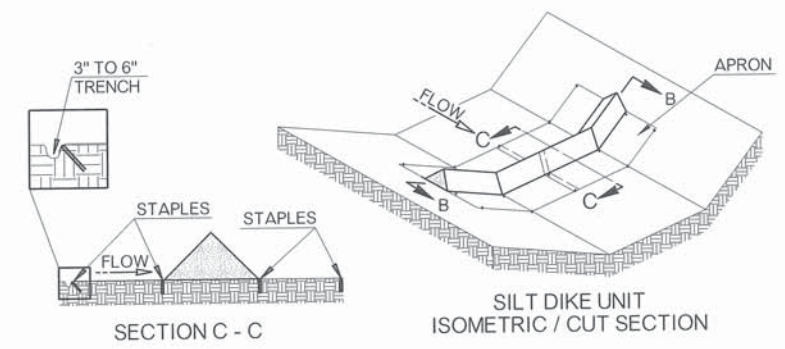
ROADWAY DESIGN DIVISION STANDARD

TEMPORARY SEDIMENT CONTROLS

OKLAHOMA DEPARTMENT OF TRANSPORTATION		
STANDARD REVISIONS		
DESCRIPTION	DATE	

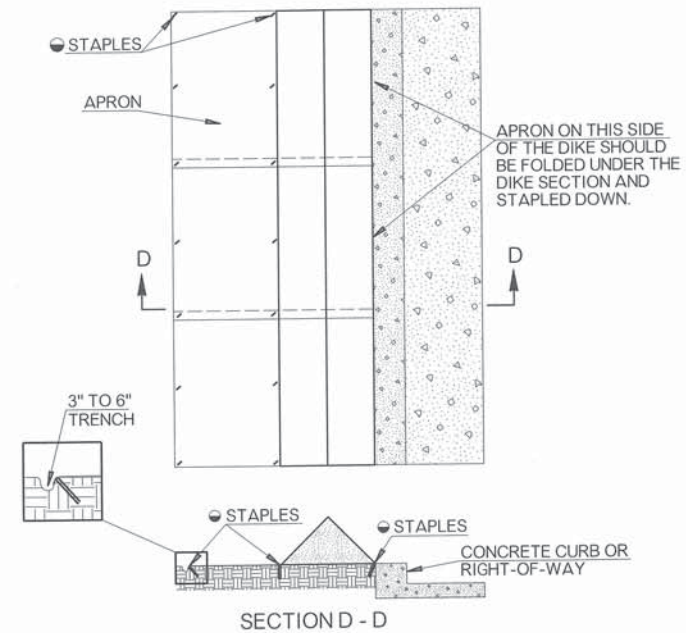


TEMPORARY SILT DIKE INSTALLATION FOR DIVERSION DIKES AND / OR DITCH LINER

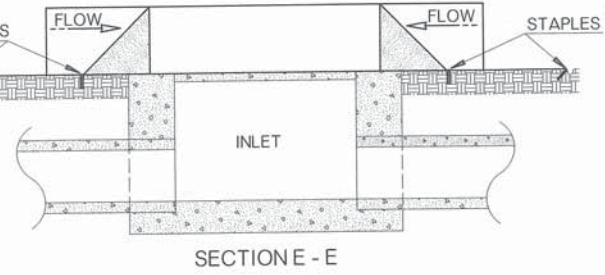
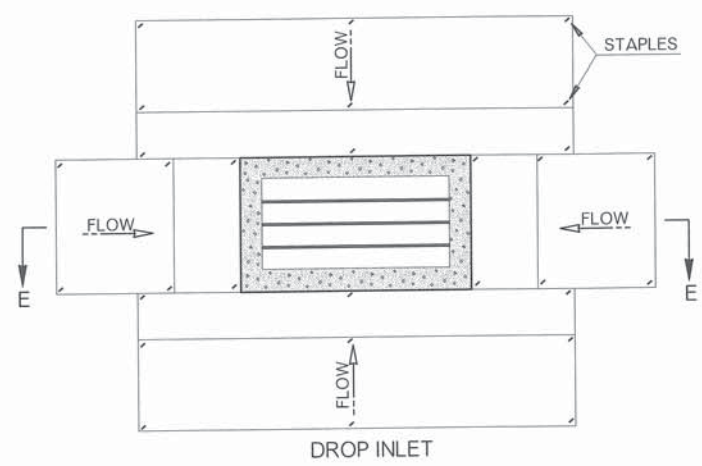


TEMPORARY SILT DIKE INSTALLATION FOR ROADWAY DITCH OR DRAINAGE DITCH

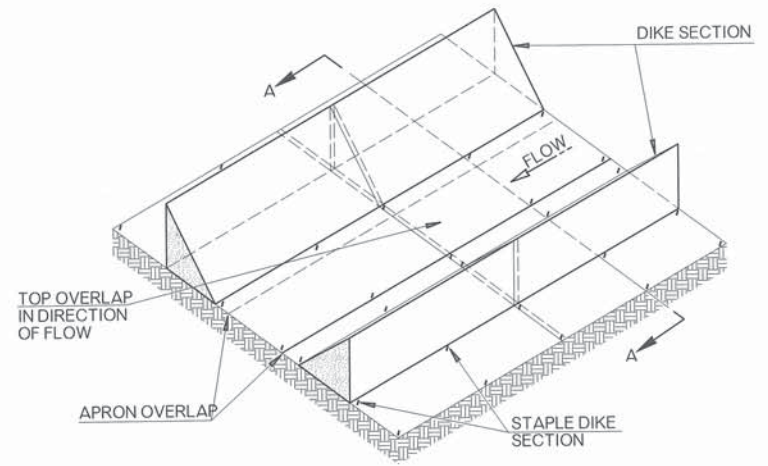
- POINT "1" MUST BE HIGHER THAN POINT "2" TO ENSURE THAT WATER FLOWS OVER THE DIKE AND NOT AROUND THE ENDS.
- STAPLES SHALL BE PLACED WHERE THE UNITS OVERLAP AND IN THE CENTER OF THE UNIT AS SHOWN ON THE DIAGRAM.



TEMPORARY SILT DIKE INSTALLATION FOR CONTINUOUS BARRIER



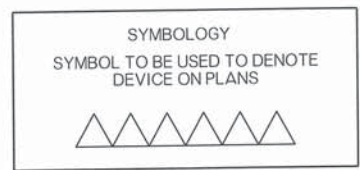
TEMPORARY SILT DIKE INSTALLATION FOR DROP INLETS



TEMPORARY SILT DIKE INSTALLATION FOR TEMPORARY DITCH LINER

GENERAL NOTES

1. ALL CONSTRUCTION AND MATERIAL REQUIREMENTS SHALL BE IN ACCORDANCE WITH THE 2009 ODOT STANDARD SPECIFICATIONS.
2. THIS WORK SHALL CONSIST OF FURNISHING, INSTALLING, AND MAINTAINING THE TEMPORARY SILT DIKE. THE DIKES SHALL BE USED AS A CONTINUOUS LINE BARRIER AT THE TOE OF SLOPE OR ACROSS THE ROADWAY DITCH TO CONTAIN SEDIMENT AND MINIMIZE EROSION, OR AS DIRECTED BY THE ENGINEER. THESE DIKES SHALL BE INSTALLED AND LOCATED AS SOON AS CONSTRUCTION WILL ALLOW OR AS DIRECTED BY THE ENGINEER.
3. TEMPORARY SILT DIKE SHALL BE TRIANGULAR SHAPED HAVING A HEIGHT OF AT LEAST 8" TO 10" IN THE CENTER WITH EQUAL SIDES AND A 16" TO 20" BASE. THE TRIANGULAR SHAPED INNER MATERIAL SHALL BE URETHANE FOAM MEETING THE REQUIREMENTS FOR ASTM D3574. THE OUTER COVER SHALL BE A WOVEN GEOTEXTILE FABRIC PLACED AROUND THE INNER MATERIAL & ALLOWED TO EXTEND BEYOND BOTH SIDES OF THE TRIANGLE 24" TO 36". THIS FABRIC SHOULD BE MILDEW RESISTANT, ROT-PROOF AND RESISTANT TO HEAT AND ULTRAVIOLET RADIATION MEETING REQUIREMENTS FOR SEDIMENT CONTROL IN AASHTO M 288. THE DIKES SHALL BE ATTACHED TO THE GROUND WITH WIRE STAPLES. THE STAPLES SHALL BE NO. 11 GAUGE WIRE AND BE AT LEAST 6" TO 8" LONG. STAPLES SHALL BE PLACED AS SHOWN ON THESE DETAILS.
4. ACCEPTED TEMPORARY SILT DIKE, MEASURED AS PROVIDED ABOVE, WILL BE PAID FOR AT THE CONTRACT UNIT PRICE BID FOR TEMPORARY SILT DIKE. PRICE BID WILL INCLUDE THE COST OF FURNISHING THE DIKES, INSTALLING, MAINTAINING AND REMOVAL WHEN DIRECTED BY THE ENGINEER.



NOTE: SILT DIKE SHOULD ONLY BE USED FOR DROP INLETS IN SUMP LOCATIONS. FOR DROP INLETS ON GRADE, USE SEDIMENT TRAPS OR OTHER CONTROLS.

BASIS OF PAYMENT		
ITEM NO.	ITEM	UNIT
221 (F)	TEMPORARY SILT DIKE	LF

NOTE: SILT DIKES ARE ONLY FURNISHED IN 7' INCREMENTS.

APPROVED BY ROADWAY ENGINEER: *Calvin F. A.* DATE: *04/14/15*
 ROADWAY DESIGN DIVISION STANDARD

DOT TEMPORARY SILT DIKE

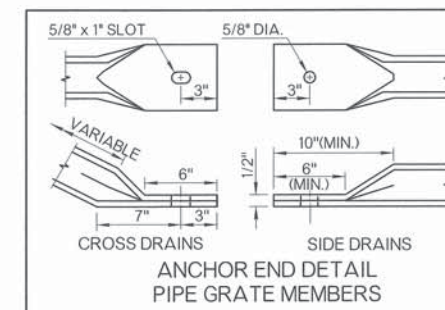
OKLAHOMA DEPARTMENT OF TRANSPORTATION
 2009 SPECIFICATIONS

TSD-2	0
R-6	

C. E. T. TYPE	CULVERT TYPE				SIDE DRAIN		CROSS DRAIN	
	REINF. CONC., STEEL OR ALUMINUM ROUND PIPE	REINF. CONC. ARCH PIPE	REINF. CONC. ELLIPTICAL PIPE (RISE x SPAN)	STEEL OR ALUMINUM ARCH PIPE	NO. OF GRATES	GRATE LENGTH L (SD)	NO. OF GRATES	GRATE LENGTH L (CD)
A4	18"	22" x 13"	14" x 23"	21" x 15"	2	36"		NONE
				24" x 18"	2	42"		NONE
B4	24"				2	45"		NONE
		28" x 18"	19" x 30"	28" x 20"	2	48"	1	10'-9"
		36" x 22"	22" x 34"	35" x 24"	3	54"	1	12'-0"
			24" x 38"		3	57"	1	12'-6"
C4	30"				5	50"		NONE
		43" x 26"		42" x 29"	3	64"	1	13'-6"
			29" x 45"	49" x 33"	3	64"	1	14'-3"
		51" x 31"			4	70"	1	15'-3"
D4	36"		34" x 53"		4	72"	1	15'-9"
	42"				4	54"	1	16'-6"
		58" x 36"	38" x 60"	57" x 38"	5	78"	1	17'-3"
		65" x 40"		64" x 43"	5	84"	2	18'-0"
E4	48"		43" x 68"		6	66"	1	20'-9"
		73" x 45"		71" x 47"	6	92"	2	20'-6"
			48" x 76"		6	96"	2	20'-9"

CET TYPE	LENGTH A	WIDTH B	WIDTH B	LENGTH C	HEIGHT H	HEIGHT K	CONC. CY	CONC. CY	REINF. BAR LENGTH		
									H-BARS	H-BARS	S-BARS
A4	10'-4"	5'-6"	6'-2"	5'-8"	21"	9"	1.70	2.00	5'-2"	5'-10"	12'-4"
B4	12'-4"	6'-0"	7'-2"	6'-0"	22"	14"	2.00	2.60	5'-8"	6'-10"	15'-4"
C4	15'-9"	6'-6"	8'-5"	7'-4"	26"	20"	2.85	3.95	6'-2"	8'-1"	19'-6"
D4	19'-3"	7'-6"	9'-6"	8'-0"	28"	27"	3.50	5.05	7'-2"	9'-2"	21'-6"
E4	20'-8"	8'-0"	10'-4"	8'-8"	30"	30"	4.05	5.75	7'-8"	10'-0"	23'-4"

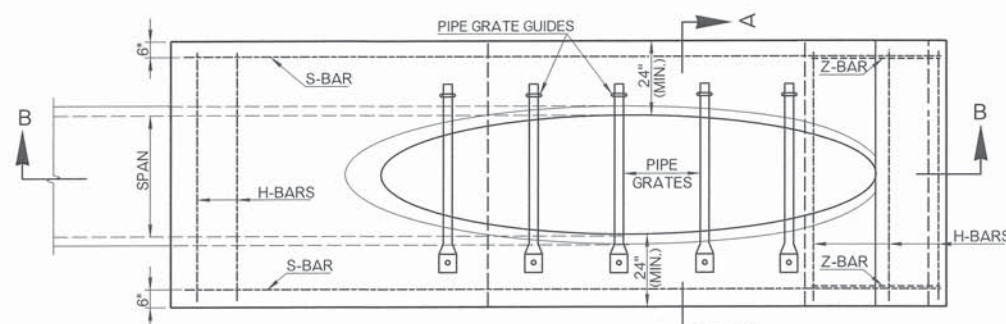
(R) ROUND SHAPE CULVERT OPTIONS
 (A) ARCH SHAPE CULVERT OPTIONS
 (E) HORIZONTAL ELLIPSE SHAPE CULVERT OPTIONS



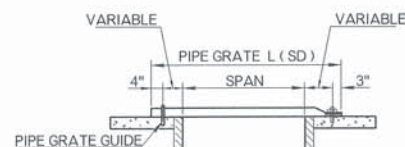
GENERAL NOTES

- ALL CONSTRUCTION AND MATERIAL REQUIREMENTS SHALL BE IN ACCORDANCE WITH THE 2009 ODOT STANDARD SPECIFICATIONS.
- QUANTITIES SHOWN IN TABLE B ARE FOR ONE END ONLY. CLASS A CONCRETE SHALL CONFORM TO THE MINIMUM REQUIREMENTS OF SECTION 509 OF THE SPECIFICATIONS.
- TYPES A4 THROUGH E4 END SECTIONS, AS SHOWN IN TABLE B, MAY BE USED WITH ANY AASHTO DESIGNATED METAL, ALUMINUM & CONCRETE PIPE SIZES, AS SHOWN IN TABLE A. END SECTION QUANTITIES ARE BASED ON METAL PIPE DIMENSIONS, NO PIPE WALL THICKNESS AND SMALLEST LISTED CULVERT ROUND OR ARCH PIPE WITHIN TYPE.
- SLOPED END OF CULVERT PIPE SHALL BE SHOP CUT. TWO COATS OF COLD GALVANIZATION WILL BE APPLIED TO CUT EDGES OF STEEL CULVERT PIPE. COST OF CUTTING AND GALVANIZING IS INCLUDED IN THE PRICE BID FOR PIPE CULVERT.
- ALL SIZES OF CULVERT PIPE WILL BE CUT ON 1 TO 4 SLOPE.
- PIPE FOR SAFETY GRATES SHALL BE 3" x 7.58 LBS./FT. STANDARD WEIGHT STEEL PIPE, SCHEDULE 40. IT SHALL BE FURNISHED GALVANIZED, PLAIN END AND SHALL MEET THE MINIMUM REQUIREMENTS OF ASTM A53 (HYDROSTATIC TESTS MAY BE WAIVED) OR ASTM F1083. COST OF GRATES TO BE INCLUDED IN PRICE BID FOR THE C.E.T.
- ANY GALVANIZED AREA(S) OF METAL PIPE DISTRESSED DURING THE POST FABRICATION AND/OR HANDLING PROCESS SHALL BE COATED WITH AN APPROVED ZINC RICH PAINT.
- REINFORCING STEEL AND PIPE GRATE GUIDES SHALL BE NO. 4 DEFORMED BARS. COST OF STEEL SHALL BE INCLUDED IN PRICE BID FOR THE CULV. END TREATMENT.
- CRITERIA FOR USE OF PIPE SAFETY GRATE MEMBERS:
 (A) ALL SIDE DRAIN AND MULTIPLE PIPE INSTALLATIONS WITHIN THE CLEAR ZONE.
 (B) ALL CROSS DRAIN INSTALLATIONS WITH A CULVERT SPAN OF 30" OR LARGER WITHIN THE CLEAR ZONE.
 (C) ALL INSTALLATIONS OUTSIDE THE CLEAR ZONE WHERE HAZARD POTENTIAL IS HIGH BASED ON TRAFFIC DIRECTION, SPEED, VOLUME AND SIZE OF CULVERT.
 NOTE: ANALYZE HYDRAULIC PERFORMANCE AT VARYING DEGREES OF CLOGGING AND APPLY RISK ASSESSMENT BEFORE USING GRATES.
- ANCHOR END OF PIPE GRATE MEMBERS SHALL BE HELD IN PLACE WITH A 1/2" x 5/16" GALVANIZED BOLT, NUT AND WASHER, 1 3/4" (NOM.) SHALL REMAIN EXPOSED FOR INSTALLING GRATE, WASHER AND NUT. ALL BOLTS, NUTS AND WASHERS SHALL CONFORM TO ASTM A307 WITH COST TO BE INCLUDED IN THE PRICE BID FOR THE CULVERT END TREATMENT.
- FOR TOTAL QUANTITY OF EXTRA DEPTH TOE WALL, MULTIPLY WIDTH B TIMES 0.0185 FOR EACH FOOT OF DEPTH OF TOE WALL REQUIRED. PAYMENT TO BE INCLUDED IN PRICE BID FOR THE CULVERT END TREATMENT.

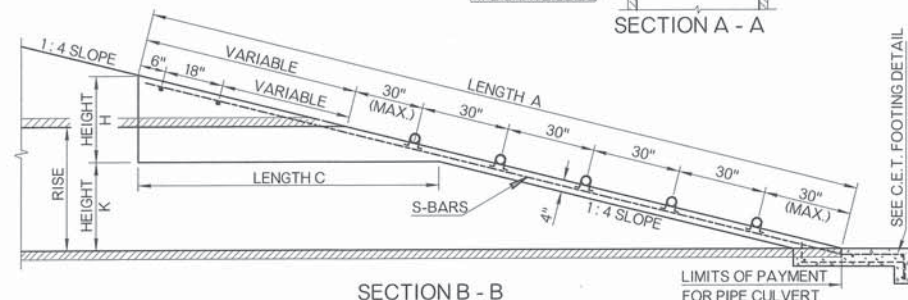
PRECAST CULVERT END TREATMENTS OR OTHER ALTERNATIVE DESIGNS MAY BE USED IF APPROPRIATE DRAWINGS ARE SUBMITTED TO AND APPROVED BY THE ENGINEER.



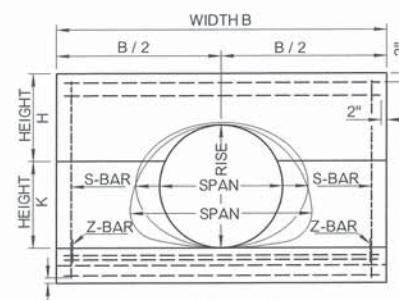
PLAN (SIDE DRAIN SHOWN)



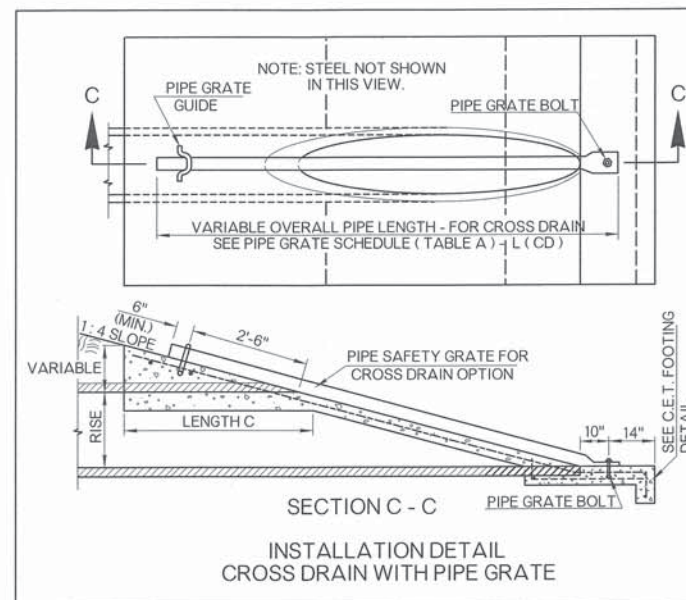
SECTION A - A



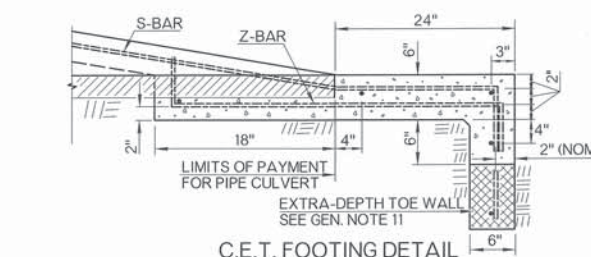
SECTION B - B



END VIEW (PIPE GRATES NOT SHOWN THIS VIEW)

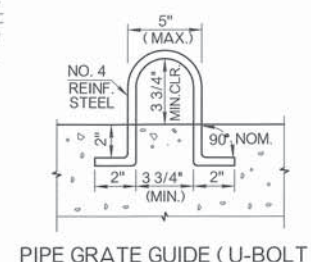


INSTALLATION DETAIL CROSS DRAIN WITH PIPE GRATE

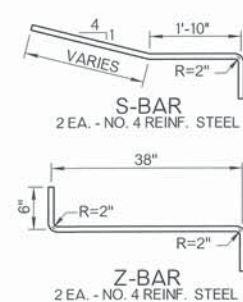


C.E.T. FOOTING DETAIL

RS	- ROUND SIDE DRAIN
RC	- ROUND CROSS DRAIN
AS	- ARCH SIDE DRAIN
AC	- ARCH CROSS DRAIN
GR	- GRATED
NG	- NON-GRATED



PIPE GRATE GUIDE (U-BOLT)



Z-BAR 2 EA. - NO. 4 REINF. STEEL

ITEM NO.	ITEM	UNIT
613 (M)	CULVERT END TREATMENT	EA

- SPECIFY TYPE OF END TREATMENT (EXAMPLE: TYPE B4 CULVERT END TREATMENT)
- CET ORIENTATION AND SAFETY GRATE REQUIREMENTS SHALL BE SPECIFIED ON THE SUMMARY OF DRAINAGE STRUCTURES. (SEE TYPICAL ABBREVIATIONS)

APPROVED BY ROADWAY ENGINEER: *Calvin A.* DATE: 04/16/15
 ROADWAY DESIGN DIVISION STANDARD

OKLAHOMA DEPARTMENT OF TRANSPORTATION
 2009 SPECIFICATIONS

CULVERT END TREATMENT SINGLE PIPE INSTALLATION 1 TO 4 SAFETY SLOPE

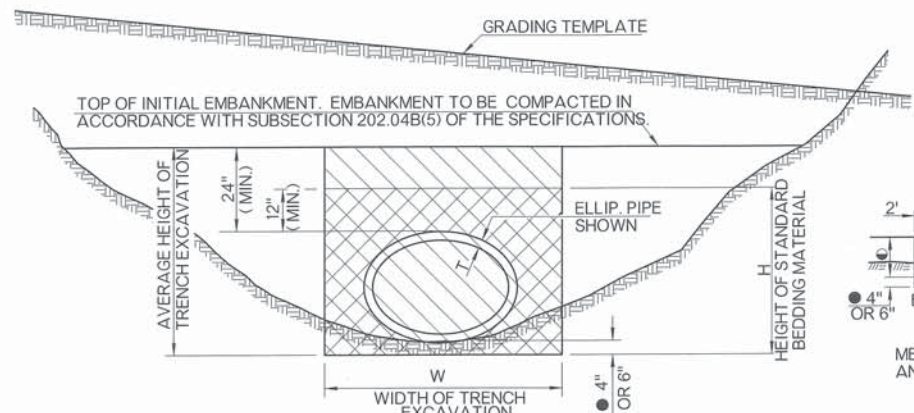
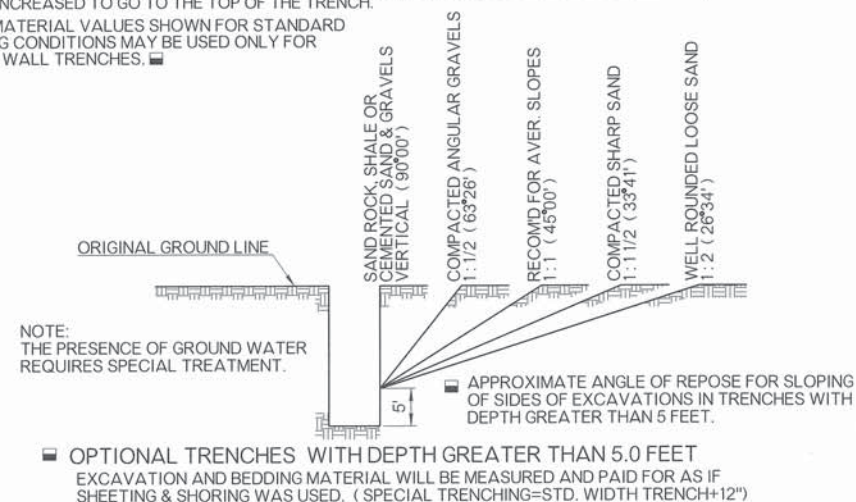
CET4S-3 2

STANDARD REVISIONS	
DESCRIPTION	DATE

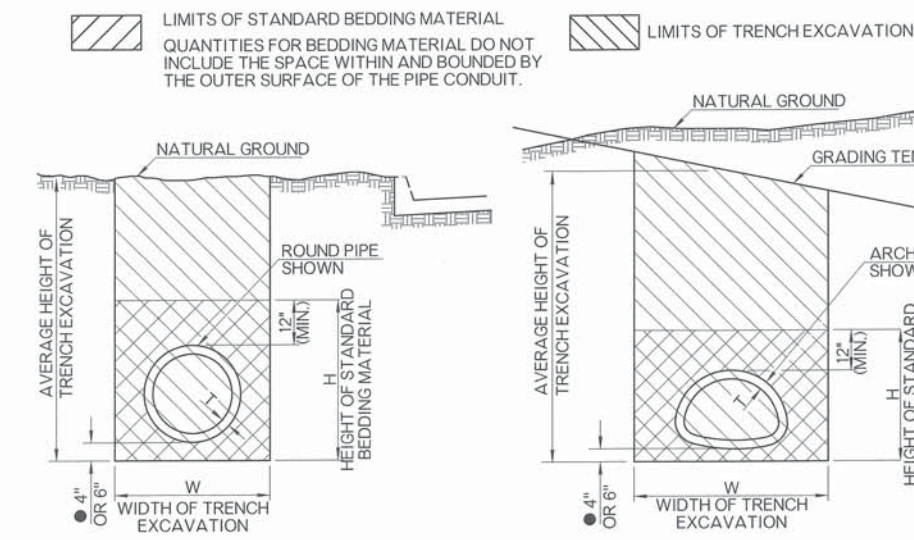
TRENCHING DIMENSIONS AND STANDARD BEDDING MATERIAL QUANTITIES

PIPE DIA. OR DESIGN EQUIV.	H	T	SINGLE PIPE STANDARD TRENCHING		DOUBLE PIPE STANDARD TRENCHING		TRIPLE PIPE STANDARD TRENCHING		SPECIAL TRENCHING SINGLE, DOUBLE & TRIPLE PIPE OPTIONS W+12"
			W	STANDARD BEDDING MATERIAL CY/LF	W	STANDARD BEDDING MATERIAL CY/LF	W	STANDARD BEDDING MATERIAL CY/LF	ADD'L STANDARD BEDDING MATERIAL CY/LF
IN.	FT.	FT.	FT.	CY/LF	FT.	CY/LF	FT.	CY/LF	CY/LF
18	3.25	0.208	3.17	0.274	5.67	0.468	8.17	0.663	0.120
24	3.83	0.25	4.00	0.386	7.00	0.629	10.00	0.873	0.142
30	4.42	0.292	4.58	0.474	8.33	0.811	12.08	1.146	0.163
36	5	0.333	6.17	0.751	10.67	1.193	15.17	1.636	0.185
42	5.58	0.375	6.75	0.870	12.00	1.429	17.25	1.989	0.207
48	6.17	0.417	7.33	0.996	13.33	1.688	19.33	2.379	0.228
54	6.75	0.458	7.92	1.126	14.67	1.960	21.42	2.794	0.250
60	7.33	0.5	8.50	1.262	16.00	2.251	24.50	3.510	0.271
66	8.08	0.542	9.08	1.408	17.33	2.565	27.58	4.173	0.299
72	8.67	0.583	9.67	1.561	18.67	2.904	30.67	4.724	0.321
78	9.25	0.625	10.25	1.721	20.00	3.268	33.75	5.122	0.343
84	9.83	0.667	10.83	1.888	21.33	3.657	36.83	5.529	0.364
90	10.42	0.708	11.42	2.062	22.67	4.062	40.00	5.959	0.386
96	11	0.75	12.00	2.243	24.00	4.483	43.17	6.383	0.407
18	2.88	0.208	3.50	0.271	6.33	0.471	9.17	0.671	0.106
21	3.08	0.229	4.12	0.338	7.29	0.567	10.46	0.796	0.114
24	3.33	0.250	4.38	0.374	7.75	0.624	11.13	0.874	0.123
30	3.79	0.291	6.10	0.603	10.13	0.915	14.16	1.227	0.140
36	4.20	0.333	6.81	0.700	11.67	1.097	16.53	1.493	0.156
42	4.69	0.375	7.50	0.813	13.17	1.308	18.83	1.802	0.173
48	5.17	0.416	8.21	0.941	14.67	1.546	21.17	2.154	0.191
54	5.58	0.458	8.93	1.084	15.67	1.814	23.50	2.549	0.207
60	6.08	0.500	9.67	1.243	16.67	2.114	25.83	2.988	0.225
66	6.75	0.542	10.42	1.418	17.67	2.448	28.17	3.471	0.250
72	7.00	0.583	11.17	1.609	18.67	2.817	30.50	3.997	0.259
78	7.83	0.625	12.00	1.817	19.67	3.221	32.83	4.466	0.272
84	8.67	0.667	12.83	2.044	20.67	3.660	35.17	4.979	0.290
90	9.50	0.708	13.67	2.291	21.67	4.134	37.50	5.536	0.330
96	10.42	0.750	14.50	2.559	22.67	4.643	39.83	6.137	0.350
18	2.96	0.229	3.62	0.282	6.54	0.487	9.46	0.691	0.109
24	3.46	0.27	4.54	0.387	8.04	0.640	11.54	0.893	0.128
30	3.96	0.312	6.29	0.629	10.51	0.954	14.74	1.28	0.147
36	4.50	0.375	7.00	0.743	12.00	1.153	17.00	1.564	0.167
42	5.00	0.416	7.75	0.862	13.64	1.379	19.53	1.896	0.185
48	5.42	0.458	8.50	1.000	15.00	1.638	22.00	2.271	0.200
54	5.92	0.5	9.25	1.148	16.50	1.932	24.50	2.689	0.219
60	6.42	0.541	10.00	1.307	18.00	2.261	27.00	3.150	0.238
66	6.91	0.583	10.75	1.476	19.50	2.624	29.50	3.654	0.256
72	7.41	0.625	11.50	1.656	21.00	3.021	32.00	4.201	0.275
78	7.91	0.667	12.25	1.847	22.50	3.452	34.50	4.791	0.293
84	8.58	0.708	13.00	2.050	24.00	3.917	37.00	5.424	0.318
90	9.00	0.75	13.75	2.275	25.50	4.417	39.50	6.101	0.333
96	9.5	0.791	14.50	2.521	27.00	4.952	42.00	6.824	0.352

NOTE: QUANTITIES FOR 66" & 78" EQUIV. DIA. ARCH PIPE BASED ON METAL PIPE & ESTIMATED WALL THICKNESS.
 ■ FOR PIPES UNDER PAVEMENT, THE H DIMENSION AND THE STANDARD BEDDING MATERIAL QUANTITY, SHALL BE INCREASED TO GO TO THE TOP OF THE TRENCH.
 ■ BEDDING MATERIAL VALUES SHOWN FOR STANDARD TRENCHING CONDITIONS MAY BE USED ONLY FOR VERTICAL WALL TRENCHES.



METHOD NO. 1 TRENCH EXCAVATION IN EMBANKMENT SECTIONS

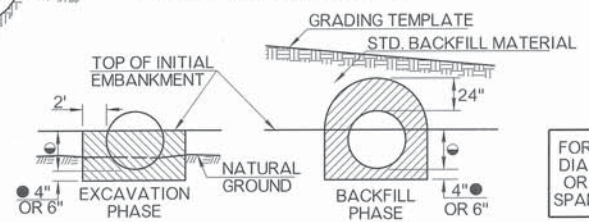


TRENCH EXCAVATION IN CUT SECTIONS

EQUIV. DIA.	REINF. CONC. ARCH PIPE	STEEL ARCH PIPE	ALUMINUM ARCH PIPE	REINF. CONC. ELLIPTICAL PIPE
18"	22" x 13"	21" x 15"	21" x 15"	14" x 23"
21"		24" x 18"	24" x 18"	
24"	28" x 18"	28" x 20"	28" x 20"	19" x 30"
27"				22" x 34"
30"	36" x 22"	35" x 24"	35" x 24"	24" x 38"
36"	43" x 26"	42" x 29"	42" x 29"	29" x 45"
42"	51" x 31"	49" x 33"	49" x 33"	34" x 53"
48"	58" x 36"	57" x 38"	57" x 38"	38" x 60"
54"	65" x 40"	64" x 43"	64" x 43"	43" x 68"
60"	73" x 45"	71" x 47"	71" x 47"	48" x 76"
66"		77" x 52"	77" x 52"	53" x 83"
72"	88" x 54"	83" x 57"	83" x 57"	58" x 91"
78"		87" x 63"	92" x 65"	63" x 98"
84"	102" x 62"	95" x 67"	95" x 67"	68" x 106"
90"	115" x 72"	103" x 71"	103" x 71"	72" x 113"
96"	122" x 77"	112" x 75"	112" x 75"	77" x 121"

▲ STRUCTURAL PLATE ARCH.

● EMBANKMENT HEIGHT PRIOR TO EXCAVATION
 PIPE SIZES FROM 18" TO 42" = 30"
 PIPE SIZES FROM 48" TO 84" = 2/3 DIAM.
 PIPE SIZES LARGER THAN 84" = 60"



METHOD NO. 1 PAY QUANTITIES WILL BE CALCULATED AND PAID FOR WHEN METHOD NO. 2 IS USED.

METHOD NO. 2 (OPTIONAL INSTALLATION FOR R. C. PIPE)

FOR DIA. OR SPAN	CONDUIT SHAPE			DIST.
	ROUND	ARCH	ELLIPTICAL	
UP TO 24"	UP TO 24"	UP TO 36"	UP TO 36"	G
25" TO 72"				D/2"
OVER 73"	37" TO 108"	37" TO 108"	OVER 108"	D/3"
	OVER 108"	OVER 108"		36"



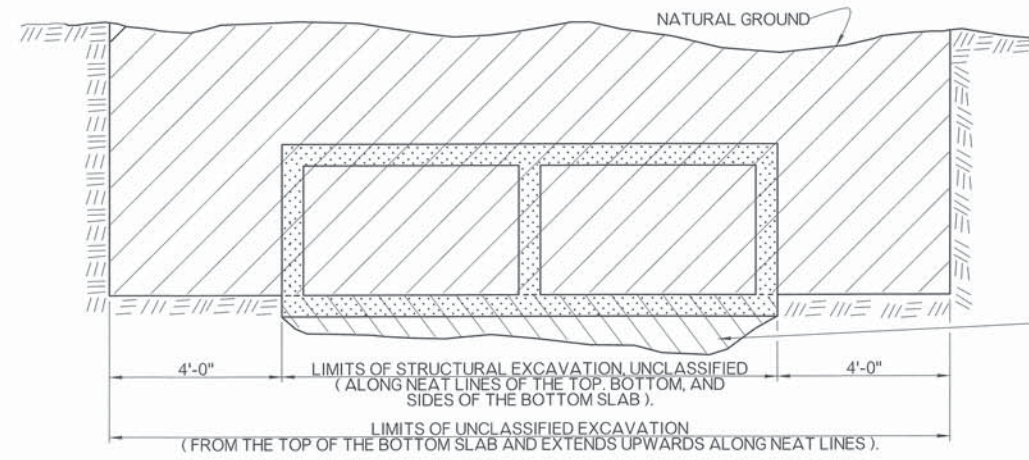
GENERAL NOTES

- ALL CONSTRUCTION AND MATERIAL REQUIREMENTS SHALL BE IN ACCORDANCE WITH THE 2009 ODOT STANDARD SPECIFICATIONS.
- TRENCH EXCAVATION AND BEDDING MATERIAL WILL NOT BE REQUIRED FOR PIPE INSTALLATIONS OF SIDE DRAINS UNLESS OTHERWISE NOTED ON THE PLANS.
- FOR PIPE UNDERDRAIN INSTALLATIONS, SEE ROADWAY STANDARD PUD-3.
- SPECIAL TRENCHING CONDITIONS ARE THOSE AS DEFINED BY O.S.H.A. REGULATIONS, TITLE 29 CFR CHAPTER XVII, PART 1926.650, 1926.651 & 1926.652, SO DEFINED WILL APPLY UNTIL THEY ARE IN CONFLICT WITH CURRENT SPECIFICATIONS. FOR TRENCH DEPTHS OVER FIVE FEET, WHERE O.S.H.A. REGULATIONS FOR SPECIAL TRENCHING ARE APPLIED, QUANTITIES AND DIMENSIONS FOR SPECIAL TRENCHING WILL BE USED FOR COMPUTING QUANTITIES. SEE TABLE OF TRENCHING DIMENSIONS AND STANDARD BEDDING MATERIAL QUANTITIES.
- NORMAL BACKFILLING OPERATIONS SHALL FOLLOW BEDDING AND PIPE INSTALLATION AS CLOSELY AS PRACTICAL. IN NO CASE SHALL A PIPE INSTALLATION SUBJECT TO SUDDEN FLOW DEVELOPMENT BE LEFT WITHOUT SUFFICIENT BACKFILL TO RESTRAIN THE CONDUIT AND PREVENT JOINT SEPARATION AND/OR PIPING SCOUR. PHYSICALLY RESTRAINING THE CONDUIT MAY BE USED TO AUGMENT OR REPLACE THIS IMMEDIATE BACKFILL REQUIREMENT.
- ANY EXCESS EXCAVATION NOT USED FOR BACKFILL WILL BECOME THE PROPERTY OF THE CONTRACTOR AND DISPOSED OF, BY HIM, IN A MANNER APPROVED BY THE ENGINEER.
- STANDARD BEDDING QUANTITIES FOR ROUND PIPE ARE BASED ON AASHTO DESIGNATED CLASS III (WALL B) REINFORCED CONCRETE PIPE.
- WHEN REQUIRED, THE SIDES OF THE TRENCHES SHALL BE SHEETED AND SHORED OR OTHERWISE SUPPORTED WHEN THE TRENCH IS MORE THAN 5.0 FEET IN DEPTH. IN LIEU OF SHEETING, THE SIDES OF THE TRENCH ABOVE THE 5.0 FOOT LEVEL MAY BE SLOPED TO PRECLUDE COLLAPSE, SEE OPTIONAL TRENCHES DETAIL THIS SHEET.
- PROPER COMPACTION OF BACKFILL REQUIRES A VERTICAL WALLED TRENCH TO 24 INCHES ABOVE TOP OF PIPE, REGARDLESS OF EXCAVATION ABOVE THAT ELEVATION.
- EQUIVALENT PIPE SIZES 66 INCHES AND LARGER REQUIRE 6 INCHES OF BEDDING MATERIAL BELOW PIPE CONDUIT.
- ELLIPTICAL PIPE DIMENSIONS CONFORM TO AASHTO M 207, AS DESIGNATED RISE BY SPAN.
- FOR COMPUTING TRENCH EXCAVATION & STANDARD BEDDING QUANTITIES, THE LENGTH OF THE CULVERT SHALL INCLUDE END SECTION AND END TREATMENT LENGTHS.
- MULTIPLE PIPE INSTALLATIONS WILL REQUIRE A MINIMUM OF 12" BETWEEN PIPES FOR PROPER COMPACTION.

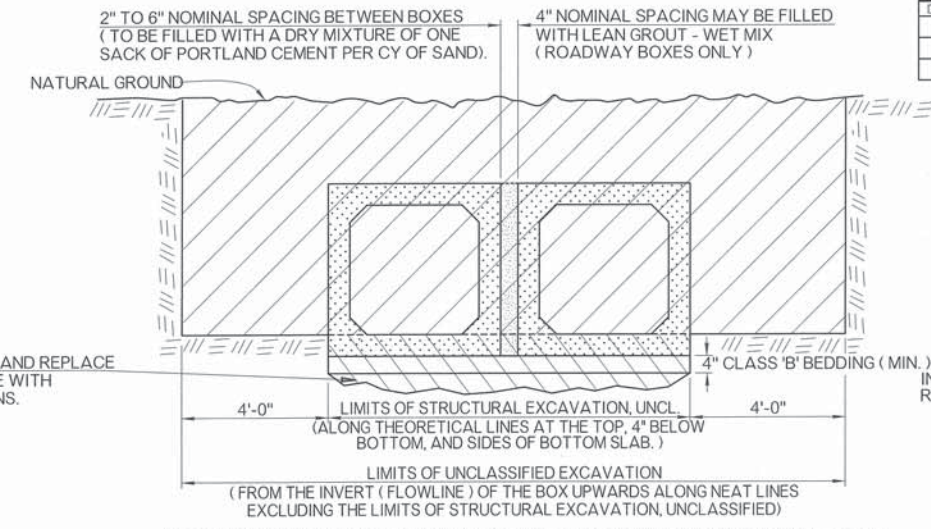
BASIS OF PAYMENT		
ITEM NO.	ITEM	UNIT
613 (R)	STANDARD BEDDING MATERIAL, CLASS A	CY
613 (S)	STANDARD BEDDING MATERIAL, CLASS B	CY
613 (T)	STANDARD BEDDING MATERIAL, CLASS C	CY
613 (V)	TRENCH EXCAVATION	CY

APPROVED BY ROADWAY ENGINEER: *Calvin A.* DATE: *02/10/15*
 ROADWAY DESIGN DIVISION STANDARD
DOT STANDARD PIPE INSTALLATION

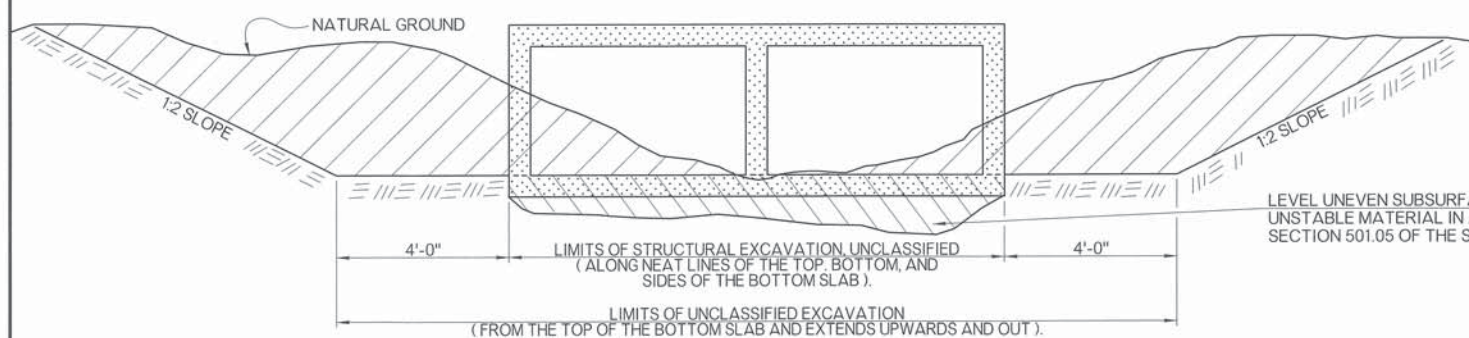
OKLAHOMA DEPARTMENT OF TRANSPORTATION	
STANDARD REVISIONS	
DESCRIPTION	DATE



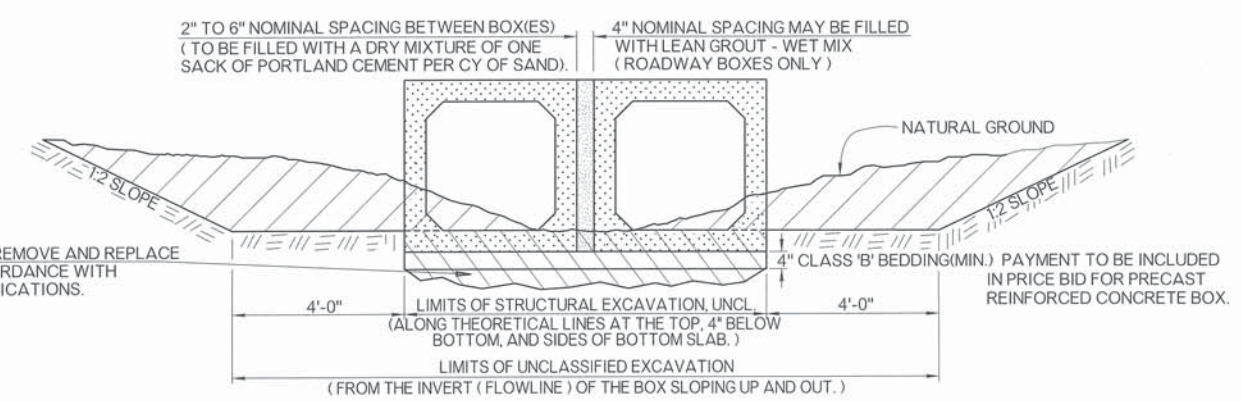
REQUIREMENTS FOR UNCLASSIFIED AND STRUCTURAL EXCAVATION OF RCB STORM SEWERS



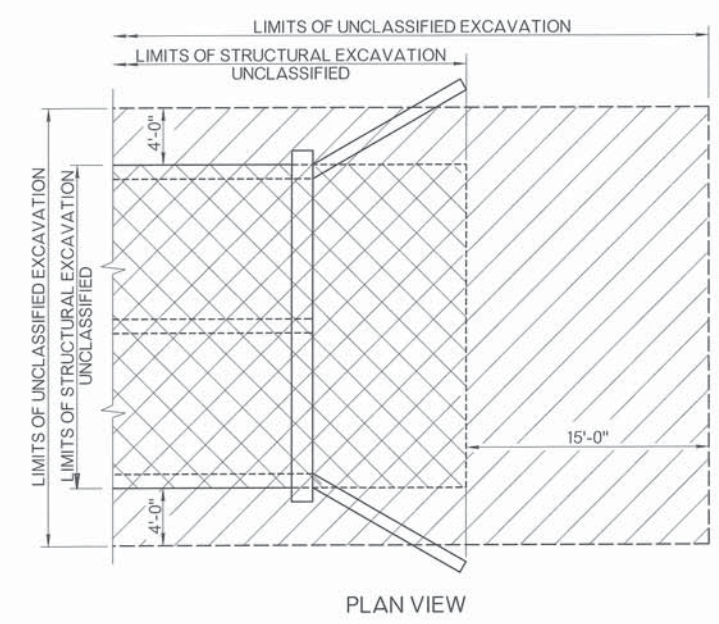
REQUIREMENTS FOR EXCAVATION OF PRECAST RCB STORM SEWERS



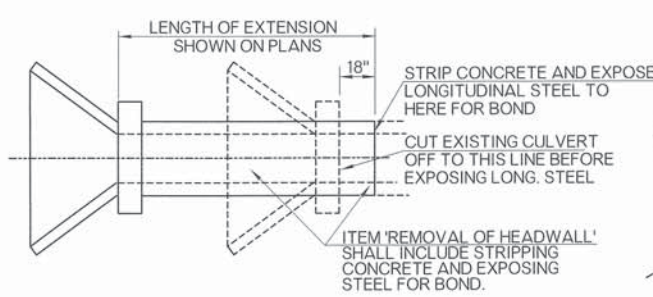
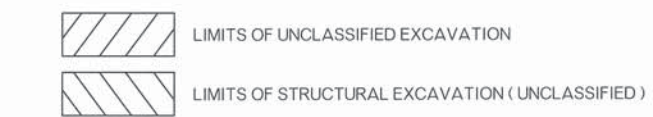
REQUIREMENTS FOR UNCLASSIFIED AND STRUCTURAL EXCAVATION OF RCB CULVERTS OF ROADWAY AND BRIDGE CLASSIFICATION



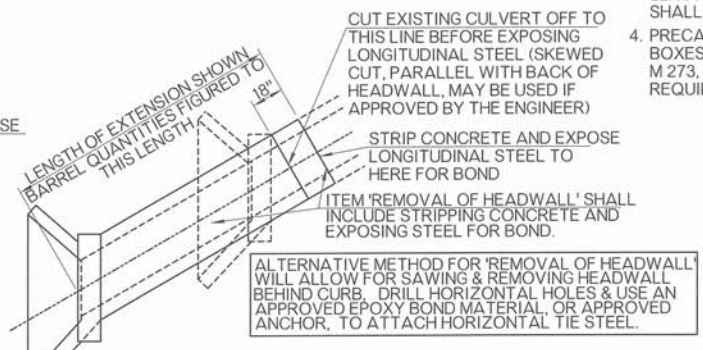
REQUIREMENTS FOR EXCAVATION OF PRECAST RCB CULVERTS OF ROADWAY AND BRIDGE CLASSIFICATION



PLAN VIEW



ALTERNATE METHOD FOR EXTENDING 90° BOXES



ALTERNATE METHOD FOR EXTENDING SKEWED BOXES

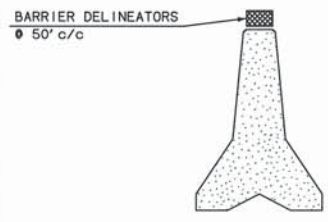
GENERAL NOTES

1. ALL CONSTRUCTION AND MATERIAL REQUIREMENTS SHALL BE IN ACCORDANCE WITH THE 2009 ODOT STANDARD SPECIFICATIONS.
2. PAYMENT FOR CAST-IN-PLACE REINFORCED CONCRETE BOXES WILL BE IN CUBIC YARDS OF CLASS A OR CLASS AA CONCRETE AND POUNDS OF REINFORCING STEEL, IN ACCORDANCE WITH SECTION 509 AND 511 OF THE SPECIFICATIONS.
3. PAYMENT FOR PRECAST CONCRETE BOX CULVERTS WILL BE MADE BASED ON THE UNIT PRICE BID FOR ITEMS AND QUANTITIES OF A CAST-IN-PLACE BOX OF THE LENGTH REQUIRED AS DETERMINED BY FIELD MEASUREMENTS, AND CONSTRUCTION SHALL BE IN ACCORDANCE WITH SECTION 508 OF THE SPECIFICATIONS.
4. PRECAST CONCRETE BOX SECTIONS, USED IN LIEU OF CAST-IN-PLACE CONCRETE BOXES, SHALL MEET MINIMUM DESIGN REQUIREMENTS OF AASHTO M 259 OR M 273, AND ASTM C1433 OR C1577, AND JOINT FILLER SHALL MEET THE REQUIREMENTS OF SUBSECTION 726.01.B OF THE SPECIFICATIONS.

BASIS OF PAYMENT		
ITEM NO.	ITEM	UNIT
202 (A)	UNCLASSIFIED EXCAVATION	CY
501 (A)	STRUCTURAL EXCAVATION UNCLASSIFIED	CY
619 (B)	REMOVAL OF HEADWALL	EA

APPROVED BY ROADWAY ENGINEER: *Calvin A.* DATE: 04/16/15
 ROADWAY DESIGN DIVISION STANDARD
 STANDARD BOX INSTALLATION

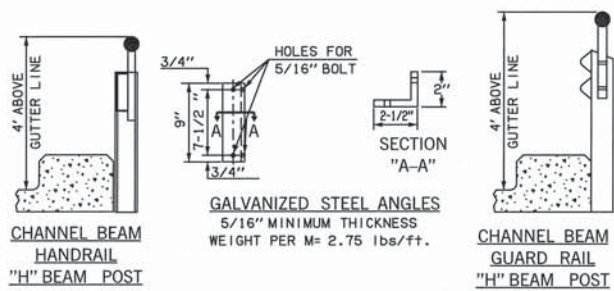
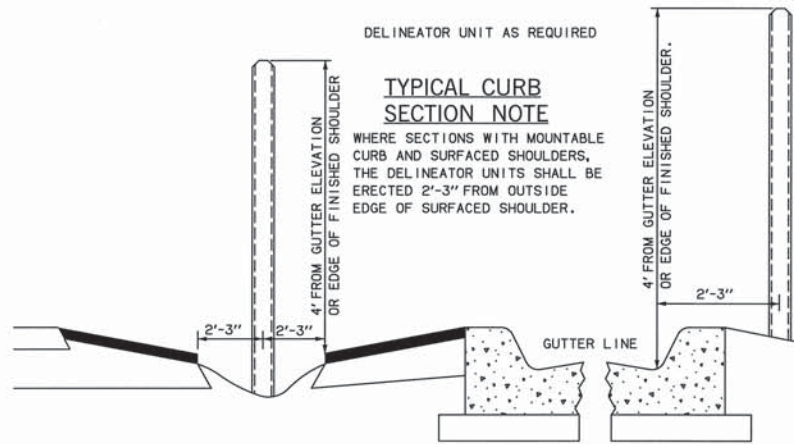
BARRIER DELINEATOR SHALL BE PLACED AT 50' c/c (MAX). DELINEATOR SHALL HAVE 6" (MIN.) REFLECTIVE AREA. SEE THE 2009 STANDARD SPECIFICATIONS FOR DETAILS. DELINEATOR TO BE INSTALLED AS RECOMMENDED BY THE MANUFACTURER. ALL DELINEATION WILL BE EITHER JD-2/JD-1 MANUFACTURED BY VEGA CORPORATION OR ASTRO OPTICS OR APPROVED EQUAL.



- BARRIER DELINEATORS FOR PERMANENTLY INSTALLED CONCRETE MEDIAN BARRIER
- TYPE 1 (CRYSTAL)
 - TYPE 1 (AMBER)
 - TYPE 2 (CRYSTAL/CRYSTAL)
 - TYPE 2 (AMBER/AMBER)

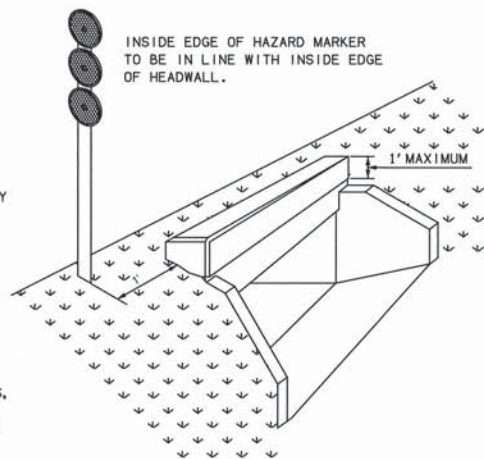
NOTE 1: FASTENING DEVICES MAY BE ALUMINUM BOLTS, NUTS, AND WASHERS OR ALUMINUM OR STEEL FASTENERS UTILIZING A SWEDGED COLLAR OR ALUMINUM OR STEEL BLIND OR PULL RIVETS OF THE SELF PLUGGING TYPE (PULL PIN, CLIPPED FLUSH, REMAINS IN RIVET WHEN FINISHED). ALL NUTS SHALL BE SELF LOCKING.

NOTE 3: WHEN BOLTS AND NUTS ARE USED FOR DELINEATOR ASSEMBLIES, THE BOLT ENDS ARE TO BE SUFFICIENTLY DEFORMED TO RESIST VANDALISM. SEE NOTE 1 FOR FASTENING DEVICES.

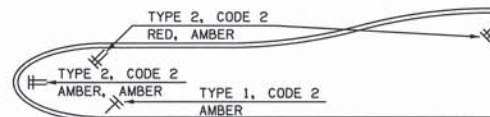


NOTE 2: FOR ATTACHING DELINEATOR POSTS TO GALVANIZED STEEL ANGLES, USE 5/16" X 3/4" GALVANIZED STEEL BOLTS. FOR ATTACHING DELINEATORS POST OR GALVANIZED STEEL ANGLES TO ALUMINUM OR "H" BEAM HANDRAIL POST, USE 5/16" X 1" GALVANIZED STEEL BOLTS. FOR ATTACHING GALVANIZED STEEL ANGLES TO CONCRETE POSTS, USE TWO 5/16" X 2" GALVANIZED STEEL EXPANSION SLEEVES AND WASHERS FOR EACH BOLT.

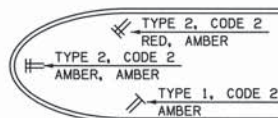
WHEN HEADWALL IS 2'-3" OR LESS FROM EDGE OF SHOULDER, USE MONODIRECTIONAL CODE 3 AMBER HAZARD MARKER FOR ONE-WAY ROADWAY (NON-EXPRESSWAY) AND FOR TWO-WAY ROADWAY, USE BI-DIRECTIONAL CODE 3 AMBER HAZARD MARKERS PLACED AT APPROACH END OF HEADWALL.



TYPE 2 DELINEATORS SHALL BE THE SAME AS SHOWN ABOVE EXCEPT THAT REFLECTORS ARE MOUNTED ON BOTH SIDES OF THE POST. COLOR OF THE REFLECTORS SHALL BE IN CONFORMANCE WITH THE MANUAL ON UNIFORM TRAFFIC CONTROL DEVICES, LATEST REVISION.



TYPICAL DELINEATOR PLACEMENT AT MEDIAN OPENINGS



RADIUS IN FEET UP TO AND INCLUDING	SPACING ON CURVE	SPACING IN ADVANCE AND BEYOND CURVES		
		FIRST	SECOND	THIRD
2500'	100'	200'	200'	200'
1000'	90'	150'	200'	200'
900'	85'	150'	200'	200'
800'	80'	150'	200'	200'
700'	75'	100'	200'	200'
600'	70'	100'	150'	200'
500'	65'	75'	125'	200'
400'	55'	50'	100'	200'
300'	50'	50'	100'	175'
250'	40'	50'	100'	150'
200'	35'	30'	50'	125'
150'	30'	20'	50'	90'
50'	20'	20'	50'	90'

ON ONE-WAY ROADWAY (NON-FREWAYS), CONSTRUCT MONO-DIRECTIONAL TYPE 1, CODE 1 DELINEATORS ON OUTSIDE OF CURVES HAVING A RADIUS OF 2500' OR LESS.

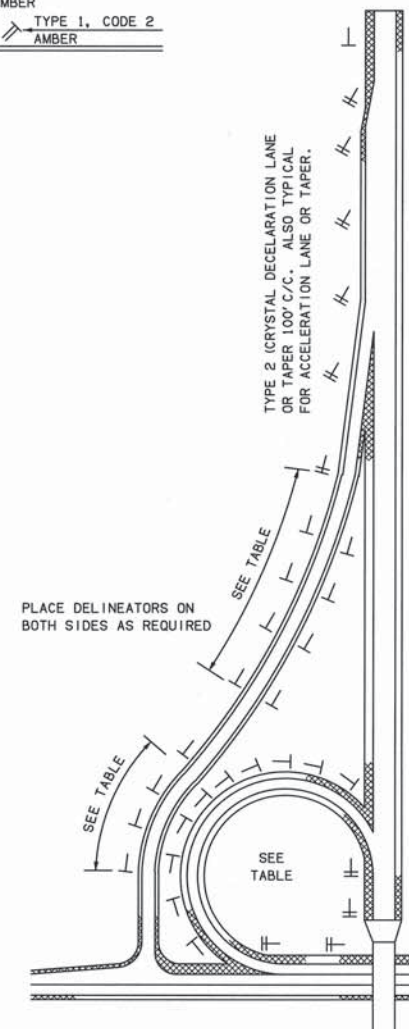
ON TWO-WAY ROADWAYS, CONSTRUCT BI-DIRECTIONAL TYPE 2, CODE 1 DELINEATORS ON OUTSIDE OF CURVES HAVING A RADIUS OF 2500' OR LESS.

ON FREEWAYS, CONSTRUCT MONO-DIRECTIONAL TYPE 1, CODE 1 DELINEATORS ON RIGHT SIDE OF ROADWAYS AT 528' SPACING ON THROUGH LANE.

EXCEPT ON FREEWAYS, DELINEATOR SPACING ON THRU LANE CURVES SHALL BE BASED ON CENTERLINE OF SURVEY OR CONSTRUCTION BASE LINE. PLACEMENT SHALL BE EVENLY SPACED AS REQUIRED IN TABLE.

MATERIALS SPECIFICATIONS

THE WEIGHT OF EACH POST BEFORE GALVANIZING & PUNCHING SHALL BE 1.12 lbs/ft. THE WEIGHT TOLERANCE SHALL BE ±3-1/2%.

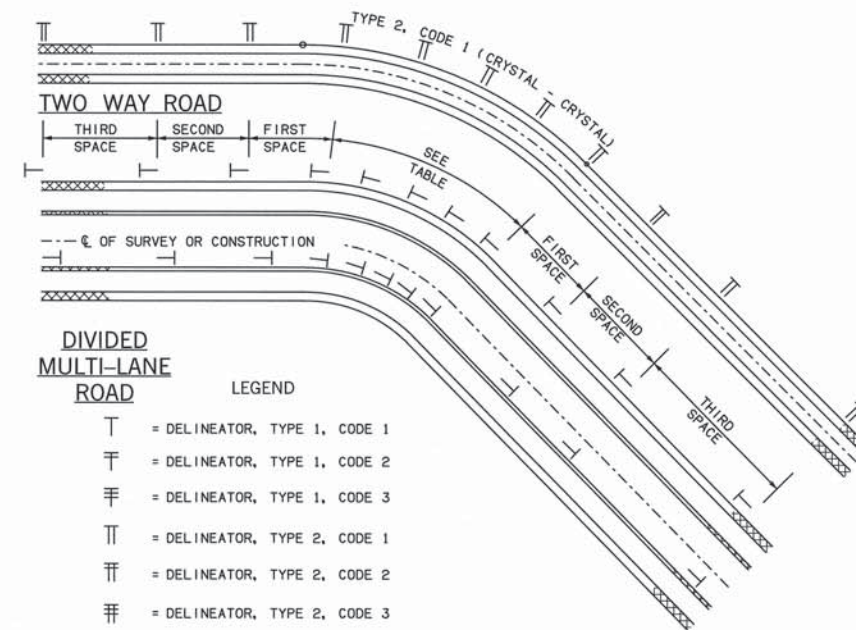


TYPICAL DELINEATOR SPACING FOR INTERCHANGE RAMP

DELINEATORS SHALL NORMALLY BE PLACED ON THE RIGHT SIDE OF RAMPS EXCEPT WHEN REQUIRED OUTSIDE OF CURVE.

WHEN RADIUS ON RAMP CURVES IS LESS THAN 2500', DELINEATORS SHALL BE PLACED ON OUTSIDE OF CURVE AND SPACED AS SHOWN ON TABLE FOR "SPACING ON CURVES", OR OMIT DELINEATORS WHEN W1-8 CHEVRON SIGNS ARE SPECIFIED.

MAXIMUM SPACING OF DELINEATORS ON RAMPS SHALL BE 100'.



$\frac{\text{LENGTH OF CURVE}}{\text{REQUIRED SPACING}} + 7 = \text{TOTAL POSTS REQUIRED FOR CURVE AND RUNOUT SPACINGS}$

BASIS OF PAYMENT

ITEM NO.	ITEM	UNIT
853	DELINEATORS	EA



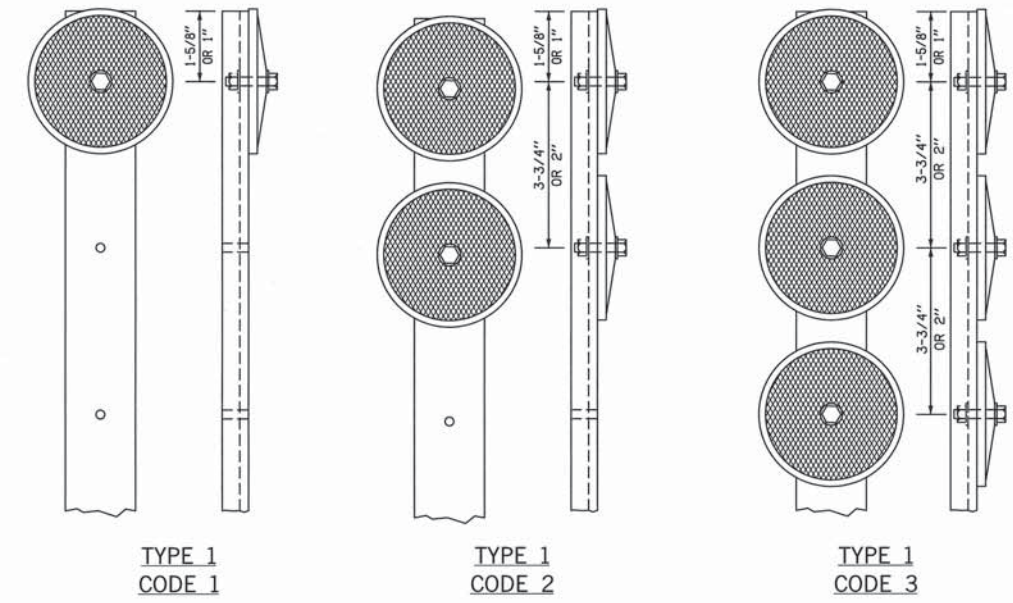
APPROVED BY TRAFFIC ENGINEER: *[Signature]* DATE: 3/31/2010

TRAFFIC STANDARD
STANDARD DELINEATOR UNITS

DESCRIPTION	REVISIONS	DATE

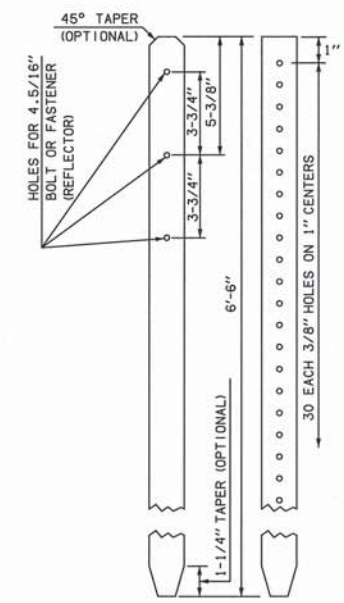
ELIMINATE NORMAL DELINEATOR WHEN CODE 3 IS WITHIN 1/4 SPACING DISTANCE

DESCRIPTION	REVISIONS	DATE



TYPE 1 CODE 1
TYPE 1 CODE 2
TYPE 1 CODE 3

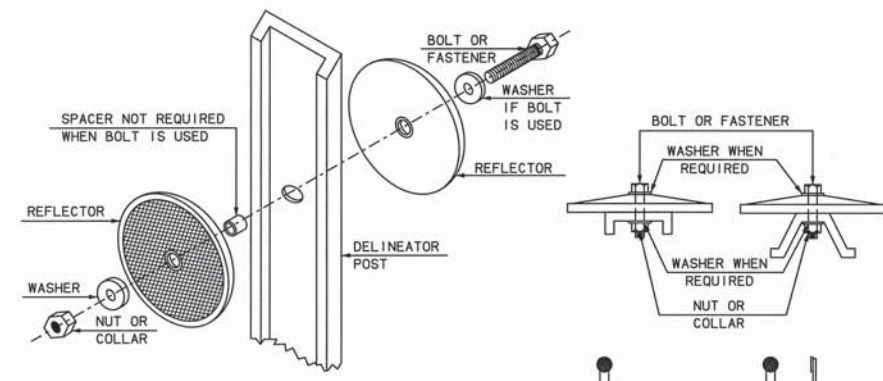
TYPE 2 DELINEATORS SHALL BE THE SAME AS SHOWN ABOVE EXCEPT THAT REFLECTORS ARE MOUNTED ON BOTH SIDES OF THE POST. COLOR OF THE REFLECTORS SHALL BE IN CONFORMANCE WITH THE MANUAL ON UNIFORM TRAFFIC CONTROL DEVICES, LATEST REVISION.



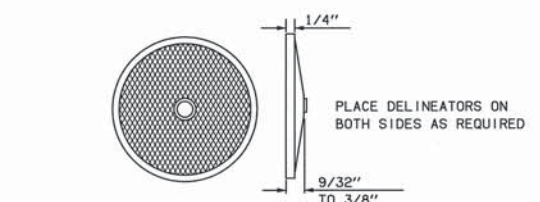
MATERIALS SPECIFICATIONS

THE WEIGHT OF EACH POST BEFORE GALVANIZING & PUNCHING SHALL BE 1.12 lbs/ft. THE WEIGHT TOLERANCE SHALL BE ±3-1/2%.

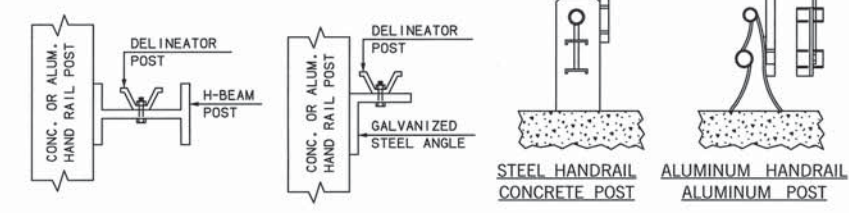
NOTE 1:
FASTENING DEVICES MAY BE ALUMINUM BOLTS, NUTS, AND WASHERS OR ALUMINUM OR STEEL FASTENERS UTILIZING A SWEDGED COLLAR OR ALUMINUM OR STEEL BLIND OR PULL RIVETS OF THE SELF PLUGGING TYPE (PULL PIN, CLIPPED FLUSH, REMAINS IN RIVET WHEN FINISHED). ALL NUTS SHALL BE SELF LOCKING.



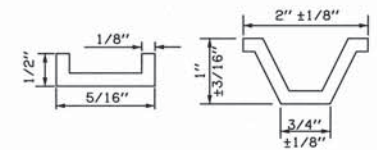
NOTE 3:
WHEN BOLTS AND NUTS ARE USED FOR DELINEATOR ASSEMBLIES, THE BOLT ENDS ARE TO BE SUFFICIENTLY DEFORMED TO RESIST VANDALISM. SEE NOTE 1 FOR FASTENING DEVICES.



CENTER MOUNT REFLECTOR



NOTE 2:
FOR ATTACHING DELINEATOR POSTS TO GALVANIZED STEEL ANGLES, USE 5/16" X 3/4" GALVANIZED STEEL BOLTS. FOR ATTACHING DELINEATOR POST OR GALVANIZED STEEL ANGLES TO ALUMINUM OR "H" BEAM HANDRAIL POST, USE 5/16" X 1" GALVANIZED STEEL BOLTS. FOR ATTACHING GALVANIZED STEEL ANGLES TO CONCRETE POSTS, USE TWO 5/16" X 2" GALVANIZED STEEL EXPANSION SLEEVES AND WASHERS FOR EACH BOLT.



ALTERNATE POST SECTIONS

THE CONTRACTOR MAY USE EITHER TYPE OF POST, BUT ONLY ONE TYPE SHALL BE USED THROUGHOUT THE PROJECT. THE CONTRACTOR SHALL FURNISH THE CORRECT SIZE FASTENING DEVICES AND NECESSARY SPACERS.

BASIS OF PAYMENT		
ITEM NO.	ITEM	UNIT
853	DELINEATORS	EA



APPROVED BY
TRAFFIC ENGINEER: *David J. Smith* DATE: 8/3/2010

TRAFFIC STANDARD
STANDARD DELINEATOR UNITS

2009 SPECIFICATIONS

DU2-1	00
T-110	

ALL GENERAL NOTES SHOWN BELOW SHALL APPLY TO ALL OF THE STANDARD DRAWINGS IN TCS SERIES

DESCRIPTION	REVISIONS	DATE
MODIFIED NOTES		3/15/2011

CONTRACTOR

ON CONSTRUCTION PROJECTS IT WILL BE THE CONTRACTORS RESPONSIBILITY TO INSTALL THE NECESSARY TRAFFIC CONTROL BEFORE CONSTRUCTION BEGINS.

THE CONTRACTOR SHALL BE RESPONSIBLE FOR MAINTAINING ALL DEVICES TO ASSURE A HIGH DEGREE OF BOTH DAY AND NIGHT VISIBILITY, WHICH WILL INCLUDE ANY WASHING, REPLACEMENT AND/OR REPOSITIONING WHERE DEEMED NECESSARY BY THE ENGINEER.

THE CONTRACTOR SHALL REPAIR OR REPLACE ANY NEW OR EXISTING PERMANENT STATE OWNED SIGNS WHICH ARE DAMAGED DUE TO HIS NEGLIGENCE OR CARELESS HANDLING DURING THE CONSTRUCTION OF THIS PROJECT. THIS SHALL BE DONE AT THE CONTRACTORS EXPENSE.

THE CONTRACTOR SHALL BE RESPONSIBLE FOR MAINTAINING TEMPORARY TRAFFIC CONTROL WORK ZONE AND EXISTING PAVEMENT MARKINGS ON ALL ROADWAYS OPEN TO TRAFFIC WITHIN THE PROJECT. SUFFICIENT QUANTITIES HAVE BEEN PROVIDED FOR MAINTAINING PAVEMENT MARKINGS FOR PRESCRIBED DETOUR ROUTES WHEN DEEMED NECESSARY BY THE ENGINEER.

SIGN MATERIALS

ALL SIGN BLANK MATERIALS SHALL BE THE OPTION OF THE CONTRACTOR BUT SHALL BE OF SUCH MATERIAL THAT WILL RETAIN A SATISFACTORY APPEARANCE THROUGHOUT THE LIFE OF THE PROJECT.

ALL SIGNS, LIGHTS, FLAGS, ETC. SHALL CONFORM IN SIZE, SHAPE, COLOR, LEGENDS AND APPLICATIONS TO THE STANDARDS SET FORTH IN THE MANUAL ON UNIFORM TRAFFIC CONTROL DEVICES AND/OR OKLAHOMA STATE STANDARD DRAWINGS FOR SIGNS. STANDARD DRAWINGS ARE AVAILABLE FROM THE DEPARTMENT OF TRANSPORTATION. INTERPRETATIONS THAT MAY BE NECESSARY SHALL BE REFERRED TO THE ENGINEER.

SIGN SHEETING

REFLECTORIZATION OF TRAFFIC CONTROL DEVICES SHALL BE BY MEANS OF WIDE ANGLE, FLAT TOP REFLECTIVE SHEETING MEETING THE REQUIREMENTS OF 2009, OKLAHOMA STANDARD SPECIFICATIONS.

SIGN INSTALLATION

ALL SIGNS SHALL BE SECURELY PLACED OR WEIGHTED TO PREVENT BLOWING OVER. ROCKS, BROKEN CONCRETE OR OTHER SUCH OBJECTS SHALL NOT BE CONSIDERED AN ACCEPTABLE SUBSTITUTE FOR SAND BAGS WHEN USED TO OBTAIN ADDED STABILITY FOR MOVABLE SIGNS AND BARRICADES.

SPACING OF SIGNING, ON THE PLANS OR TCS STANDARDS, SHOULD BE NO LESS THAN THE DISTANCES SHOWN. THE DISTANCE BETWEEN SIGNS SHOULD BE INCREASED ON HIGH SPEED OR MORE HEAVILY TRAVELED HIGHWAYS, OR WHERE SIGHT DISTANCE IS RESTRICTED.

IN ALL CONSTRUCTION ZONES, THE 48 INCH X 48 INCH WARNING SIGNS SHALL HAVE ATTACHED THERETO FLORESCENT FLAGS AND TYPE "A" WARNING LIGHTS. THIS SHALL ALSO APPLY WHEN SIGNS ARE USED ON BOTH SIDES OF THE ROADWAY. ADDITIONAL FLASHING LIGHTS MAY BE REQUIRED WHEN SO DESIRED BY THE ENGINEER.

ALL DIAMOND SHAPED CONSTRUCTION WARNING SIGNS ON EXPRESSWAYS OR FREEWAYS SHALL BE 48 INCH X 48 INCH, WITH THE APPROPRIATE ADVISORY SIGN WHERE REQUIRED UNLESS OTHERWISE NOTED IN THE PLANS.

DUE TO THE TEMPORARY NATURE OF CONSTRUCTION, SIGNS WHICH ARE 33 S.F. AND OVER WILL HAVE NO REINFORCING STEEL IN THEIR FOOTINGS.

ALL SIGNS AND SIGN ASSEMBLIES WITH A TOTAL SURFACE AREA OF 10 S.F. OR MORE SHALL BE INSTALLED ON TWO (2) POSTS. THE EXCEPTION BEING SINGLE ROUTE MARKER ASSEMBLIES.

SIGNS MOUNTED ON BARRICADES SHALL BE MOUNTED AS HIGH AS NECESSARY TO BE VISIBLE.

BARRICADES

ONE (1) WING BARRICADE SHALL BE SET ON EACH SIDE OF THE ROADWAY IN ADVANCE OF THE FIRST ADVANCE WARNING SIGN. THE EXCEPTIONS ARE MINOR CROSS STREETS AND SECTION LINE ROADS WHICH INTERSECT THE WORK AREA.

WING BARRICADES SHALL BE INSTALLED ON TWO (2) BREAKAWAY POSTS.

WORK DURATION

THE FIVE CATEGORIES OF WORK DURATION AND THEIR TIME AT A LOCATION SHALL BE:
 A) LONG-TERM STATIONARY IS WORK THAT OCCUPIES A LOCATION MORE THAN 3 DAYS.
 B) INTERMEDIATE-TERM STATIONARY IS WORK THAT OCCUPIES A LOCATION MORE THAN ONE DAYLIGHT PERIOD UP TO 3 DAYS, OR NIGHTTIME WORKLASTING MORE THAN 1 HOUR.
 C) SHORT-TERM STATIONARY IS DAYTIME WORK THAT OCCUPIES A LOCATION FOR MORE THAN 1 HOUR WITHIN A SINGLE DAYLIGHT PERIOD.
 D) SHORT DURATION IS WORK THAT OCCUPIES A LOCATION UP TO 1 HOUR.
 E) MOBILE IS WORK THAT MOVES INTERMITTENTLY OR CONTINUOUSLY.

LIGHTING

TYPE "A" WARNING LIGHTS SHALL BE USED ON BARRICADES (AS REQUIRED) AND WARNING SIGNS.

TYPE "C" WARNING LIGHTS MAY BE USED ON VERTICAL PANELS (OPTIONAL).

CONSTRUCTION NOTES

SHOULD THE REQUIRED WORK ON ANY PROJECT, INCLUDING ANY TRAFFIC CONTROL, OVERLAP OR OTHERWISE INTERFERE WITH THE ON-GOING WORK OR TRAFFIC CONTROL OF ANOTHER PROJECT, IT SHALL BE THE RESPONSIBILITY OF THE RESPECTIVE CONTRACTORS TO COORDINATE THEIR WORK ACTIVITIES TO FACILITATE THE SAFE MOVEMENT OF TRAFFIC THROUGHOUT OR AROUND THEIR COLLECTIVE WORK AREAS. ANY SUCH RECOMMENDED CHANGES SHALL BE SUBMITTED IN WRITING TO EACH PROJECT RESIDENT ENGINEER FOR REVIEW AND APPROVAL.

ALL TRAFFIC CONTROL DEVICES NOT REQUIRED FOR THE SAFE CONDUCT OF TRAFFIC THROUGH THE TEMPORARY TRAFFIC CONTROL ZONE SHALL BE PROMPTLY REMOVED, COMPLETELY COVERED, TURNED AWAY FROM TRAFFIC OR OTHERWISE TAKEN OUT OF SERVICE. DEVICES SHALL NOT BE STORED ALONG THE ROADWAY WITHIN 15 FEET (15') OF AN OPEN DRIVING LANE, EITHER BEFORE OR AFTER THEY ARE TO BE USED UNLESS PROTECTED BY GUARDRAIL, BRIDGE RAIL, AND/OR BARRIERS INSTALLED FOR OTHER PURPOSES. THESE DEVICES SHALL BE REMOVED FROM THE TEMPORARY TRAFFIC CONTROL ZONE WHEN THE ENGINEER DETERMINES THEY ARE NO LONGER NEEDED. WHERE THERE IS INSUFFICIENT RIGHT-OF-WAY TO PROVIDE FOR THIS 15 FEET (15') SETBACK, THE CONTRACTOR SHALL DETERMINE ALTERNATE LOCATIONS AND REQUEST THE ENGINEERS APPROVAL TO USE THEM.

TRAFFIC CONTROL DEVICES, WARNING DEVICES, AND BARRIERS SHALL BE KEPT IN CORRECT POSITION, PROPERLY DIRECTED, CLEARLY VISIBLE AND CLEAN AT ALL TIMES. DAMAGED, DEFACED OR DIRTY DEVICES OR BARRICADES SHALL IMMEDIATELY BE REPAIRED, REPLACED OR CLEANED BY THE CONTRACTOR AND APPROVED FOR USE BY THE ENGINEER.

NO EQUIPMENT OR VEHICLES BELONGING TO THE CONTRACTOR, HIS SUB-CONTRACTORS OR EMPLOYEES SHALL BE PARKED OR STOPPED WITHIN 30 FEET (30') OF A LANE CARRYING TRAFFIC, AT ANY TIME, UNLESS REQUIRED BY ONGOING WORK OPERATIONS.

ALL DETOURS AND DIVERSIONS SHOULD BE IN PLACE, WITH SIGNING, STRIPING AND CHANNELIZING DEVICES, AS SHOWN IN THE PLANS OR STANDARD DRAWINGS, BEFORE THEY ARE OPENED TO TRAFFIC.

WHEN IT BECOMES NECESSARY TO CLOSE THE ROAD TO THROUGH TRAFFIC, NO LESS THAN SEVEN DAYS PRIOR TO THE CLOSURE, THE CONTRACTOR SHALL NOTIFY THE FOLLOWING INDIVIDUALS OR AGENCIES DESCRIBING THE AFFECTED ROAD AND THE APPROXIMATE DURATION OF THE CLOSURE. THOSE TO BE NOTIFIED INCLUDE BUT ARE NOT LIMITED TO 1) LOCAL LAW ENFORCEMENT OFFICIALS, 2) LOCAL FIRE OFFICIALS, 3) AMBULANCE SERVICES, 4) LOCAL SCHOOL SUPERINTENDENT, 5) UNITED STATES POSTAL SERVICE, AND 6) CITY OR COUNTY ROAD SUPERINTENDENT.

ALL TEMPORARY TRAFFIC CONTROL DEVICES, AND THEIR CONDITIONS THROUGHOUT THE LIFE OF THE CONSTRUCTION PROJECT, SHALL MEET O.D.O.T.'S LATEST "QUALITY STANDARDS FOR TEMPORARY TRAFFIC CONTROL DEVICES". THE O.D.O.T. RESIDENT ENGINEER WILL MAKE FINAL DECISION OF ALL TEMPORARY TRAFFIC CONTROL DEVICES BASED ON THE O.D.O.T. GUIDELINES.

NO GENDER BIAS SIGNS ARE ALLOWED.

ARROW DISPLAY

USE OF AN ARROW DISPLAY, IN THE ARROW OR CHEVRON MODE, SHALL BE LIMITED TO STATIONARY OR MOVING LANE CLOSURES.

AN ARROW DISPLAY, IN THE CAUTION MODE, SHALL BE USED ONLY FOR SHOULDER WORK, BLOCKING THE SHOULDER, ROADSIDE WORK NEAR THE SHOULDER, OR FOR MOBILE OPERATIONS (I.E. STRIPING).

AN ARROW DISPLAY IN THE ARROW OR CHEVRON MODE, SHALL NOT BE USED ON A TWO-LANE, TWO-WAY ROADWAY FOR TEMPORARY ONE-LANE OPERATION.

AN ARROW DISPLAY SHALL NOT BE USED ON A MULTI-LANE ROADWAY TO LATERALLY SHIFT TRAFFIC.

CHANNELIZING DEVICES

IN THOSE AREAS WHERE DRIVERS ARE ASKED TO MAKE A DECISION OR MUST BE GUIDED THROUGH A PRECISE MOVEMENT, BY USE OF CHANNELIZING DEVICES, IT IS ESPECIALLY IMPORTANT TO PROVIDE A CLEARLY DEFINED PATH. EXAMPLES OF THIS COULD BE IN DELINEATING A TEMPORARY GORE OR TURNING RADIUS. IN SUCH AREAS THE SPACING OF CHANNELIZING DEVICES MAY BE REDUCED TO 10 FEET FOR SPEEDS OF 40 M.P.H. OR LESS, AND 20 FEET FOR SPEEDS GREATER THAN 40 M.P.H.

WHEN CHANNELIZING DEVICES ARE USED TO DIRECT TRAFFIC ACROSS EXISTING LANE LINES OR EDGE LINES, THE SPACING BETWEEN CHANNELIZING DEVICES SHALL BE REDUCED 50%. SPACING SHOULD ALSO BE REDUCED WHEN CHANNELIZING DEVICES ARE PLACED ON CURVES, HILLS, OR NEXT TO POTENTIAL HAZARDS.

ALL TRAFFIC CONTROL CHANNELIZING DEVICES SHALL MEET MUTCD COLOR REQUIREMENTS.

FLAGGERS

FLAGGERS MUST BE CLEARLY VISIBLE TO APPROACHING TRAFFIC FOR A DISTANCE SUFFICIENT TO PERMIT PROPER RESPONSE BY MOTORISTS TO THE FLAGGING INSTRUCTIONS, AND TO PERMIT TRAFFIC TO REDUCE SPEED OR STOP BEFORE ENTERING THE TEMPORARY TRAFFIC CONTROL ZONE. FLAGGERS SHALL BE POSITIONED TO MAINTAIN MAXIMUM COLOR CONTRAST BETWEEN THE FLAGGER'S REFLECTIVE CLOTHING AND EQUIPMENT AND THE WORK AREA BACKGROUND.

DURING HOURS OF DARKNESS, FLAGGER STATIONS SHALL BE ILLUMINATED SUCH THAT THE FLAGGER WILL BE CLEARLY VISIBLE TO APPROACHING TRAFFIC. LIGHTS TO BE USED FOR ILLUMINATING THE STATION SHALL BE APPROVED BY THE ENGINEER. REFLECTORIZED PADDLES AND REFLECTORIZED VESTS, SHIRTS OR JACKETS SHALL BE USED FOR NIGHTTIME FLAGGING.

UNLESS OTHERWISE SPECIFIED IN THE PLANS, THE COST OF FLAGGING OPERATIONS SHALL BE INCLUDED IN OTHER ITEMS OF WORK.

MINIMUM STANDARDS FOR TRAFFIC CONTROL DEVICES

- (1) WARNING LIGHTS (TYPE A FLASHERS AND TYPE C STEADY BURN)
 - (A) NOT LESS THAN NINETY (90) PERCENT OF THE TOTAL NUMBER OF LIGHTS BEING USED AT ANY ONE TIME SHALL BE FULLY OPERATIONAL
 - (B) NOT MORE THAN THREE (3) LIGHTS ADJACENT TO ONE ANOTHER SHALL BE FAILING.
- (2) ARROW DISPLAY
 - (A) WHEN IN ARROW MODE, NO MORE THAN TWO (2) LAMPS IN THE STEM AND ZERO (0) LAMPS IN THE HEAD SHALL BE FAILING. THE DIMMING FUNCTION SHALL BE OPERATING PROPERLY.
 - (B) WHEN IN CAUTION MODE (CORNERS), A MINIMUM OF FOUR (4) LAMPS SHALL BE OPERATIONAL. THE DIMMING FUNCTION SHALL BE OPERATING PROPERLY.
 - (C) ANY LAMP WHICH IS LIGHTED BUT IMPROPERLY ALIGNED SHALL NOT BE CONSIDERED OPERATIONAL.
- (3) CHANGEABLE MESSAGE SIGNS
 - (A) NOT LESS THAN NINETY (90) PERCENT OF THE PIXELS SHALL BE FUNCTIONAL IN EACH CHARACTER MODULE.
 - (B) NO SANDBAG BALLASTING OVER 3 FEET IN HEIGHT.
- (4) PAVEMENT MARKING TAPE
 - (A) NOT MORE THAN TEN (10) PERCENT OF ALL TAPE, PAINT, MESSAGE OR SYMBOL SHALL BE MISSING
 - (B) NOT MORE THAN TWO (2) CONSECUTIVE DASHED LINES SHALL BE MISSING.
 - (C) NOT MORE THAN FIFTY (50) CONTINUOUS FEET OF A SOLID LINE SHALL BE MISSING.
- (5) CONSTRUCTION ZONE PAVEMENT MARKERS
 - (A) NOT MORE THAN TEN (10) PERCENT OF THE TOTAL NUMBER OF MARKERS SHALL BE MISSING.
 - (B) NOT MORE THAN THREE (3) CONSECUTIVE MARKERS SHALL BE MISSING.

STRIPING

WHENEVER THE WORK CAUSES THE OBLITERATION OF PAVEMENT MARKINGS, EITHER TEMPORARY OR PERMANENT MARKINGS SHALL BE IN PLACE PRIOR TO OPENING THE ROADWAY TO TRAFFIC. CENTERLINE PAVEMENT MARKINGS SHALL BE PROVIDED AT ALL TIMES FOR ROADWAYS OPEN TO TRAFFIC.

THE APPLICATION SURFACES FOR PAVEMENT MARKINGS SHALL BE FREE OF DUST, DIRT, MOISTURE OR OTHER FOREIGN MATTER WHICH WOULD INTERFERE WITH ADHESION. INSTALLATION OF ALL PAVEMENT MARKINGS SHALL BE IN ACCORDANCE WITH THE MANUFACTURERS RECOMMENDATIONS.

ALL TEMPORARY PAVEMENT MARKINGS SHALL BE REMOVED IMMEDIATELY AHEAD OF THE PERMANENT STRIPING OPERATIONS OR RE-STRIPING FOR FOLLOWING CONSTRUCTION PHASES.

WHEN REMOVABLE PAVEMENT MARKINGS TAPE IS TO BE INSTALLED ON NEW CONCRETE PAVEMENT, THE CURING COMPOUND SHALL BE REMOVED PRIOR TO INSTALLATION.

IF REMOVABLE PAVEMENT MARKING TAPE IS INSTALLED IN ACCORDANCE WITH THE MANUFACTURERS SPECIFICATIONS AND FAILS DURING THE FIRST SIX MONTHS OF SERVICE, IT SHALL BE REPLACED AT THE CONTRACTOR'S EXPENSE. REPLACEMENT SHALL BE ACCOMPLISHED IN A TIMELY MANNER UPON BEING NOTIFIED, BY THE ENGINEER, OF SUCH FAILURE.

PILOT CAR

WHEN LANE CLOSURES ARE REQUIRED ON TWO-LANE /TWO-WAY ROADWAYS, THE CONTRACTOR MAY, AT HIS OPTION, UTILIZE A PILOT CAR. IF THE CONTRACTOR ELECTS TO USE A PILOT CAR, CHANNELIZING DEVICES ALONG THE CENTERLINE WILL NOT BE REQUIRED. THE PILOT CAR OPERATOR SHALL BE IN RADIO CONTACT WITH PERSONNEL IN THE TEMPORARY TRAFFIC CONTROL ZONE. MAXIMUM SPEED OF THE PILOT CAR THROUGH THE WORK AREA SHALL BE 25 M.P.H. FULL COMPENSATION FOR FURNISHING AND OPERATING THE PILOT CAR, (INCLUDING DRIVER, RADIOS, AND ANY OTHER EQUIPMENT OR LABOR REQUIRED) SHALL BE CONSIDERED AS INCLUDED IN THE COST OF OTHER ITEMS OF WORK.

MISCELLANEOUS

TRAFFIC CONDITIONS MAY NECESSITATE CHANGES IN THE USE AND/OR QUANTITIES OF THE TRAFFIC CONTROL DEVICES AS SHOWN IN THE PLANS OR IN THE STANDARDS. ANY SUCH CHANGES ARE SUBJECT TO APPROVAL BY THE ENGINEER.

ALL CHANNELIZING DEVICES PROVIDED ON THIS PROJECT SHALL BE IN GOOD CONDITION AND SHALL BE APPROVED FOR USE ON THIS PROJECT BY THE ENGINEER.

THE REGULATORY SPEED LIMITS THROUGH THE WORK ZONE MAY BE ADJUSTED AT THE DISCRETION OF THE ENGINEER WITH THE DOCUMENTED APPROVAL OF THE DIVISION ENGINEER IN ACCORDANCE WITH TITLE 47 OF THE OKLAHOMA MOTOR VEHICLE LAWS.

THE TERMINATION AREA EXTENDS FROM THE DOWNSTREAM END OF THE WORK AREA TO THE TEMPORARY TRAFFIC CONTROL DEVICE SUCH AS "END ROAD WORK" SIGNS. IF POSTED, A SPEED SIGN, OR OTHER SIGNS MAY BE USED TO INFORM ROAD USERS THAT THEY CAN RESUME NORMAL OPERATIONS.

THE CONSTRUCTION SIGNING AND BARRICADE CONTRACTOR SHOULD AFFIX THEIR COMPANY NAME AND/OR LOGO INCONSPICUOUSLY ON EACH TRAFFIC CONTROL DEVICE.



APPROVED BY TRAFFIC ENGINEER: *Sheld Gandy* DATE: 3/21/11

TRAFFIC STANDARD
 TRAFFIC CONTROL STANDARD
 TRAFFIC CONTROL CONSTRUCTION NOTES

2009 SPECIFICATIONS

TCS1-1	01
T-501	

\$\$\$date\$\$\$

DESCRIPTION	REVISIONS	DATE
-------------	-----------	------

TAPER LENGTH CRITERIA FOR WORK ZONES

SPEED LIMIT M.P.H.	"L" FORMULA	"L" TAPER LENGTH (MINIMUM) (FT)			NUMBER OF CHANNELIZING DEVICES REQUIRED (MINIMUM)			SPACING CHANNELIZING DEVICES (MAXIMUM)		MAXIMUM HORIZONTAL ALIGNMENT THRU DETOUR (DEGREE) (S=0)	SPEED LIMIT M.P.H.
		10' OFFSET	11' OFFSET	12' OFFSET	10' OFFSET	11' OFFSET	12' OFFSET	① THRU TAPER SECTION (FT.)	② THRU TANGENT SECTION (FT.)		
20	$L = \frac{W \times S^2}{60}$	70	75	80	5	5	5	20	40	—	20
25		105	115	125	6	6	6	25	50	—	25
30		150	165	180	6	7	7	30	60	15	30
35		205	225	245	7	8	8	35	70	11	35
40	$L = W \times S$	265	295	320	8	9	9	40	80	8	40
45		450	495	540	11	12	13	45	90	6	45
50		500	550	600	11	12	13	50	100	5	50
55		550	605	660	12	14	15	50	100	4	55
60		600	660	720	13	15	16	50	100	3	60
65		650	715	780	14	16	17	50	100	2.5	65
70		700	770	840	15	17	18	50	100	2	70
75		750	825	900	16	18	19	50	100	1.8	75

NOTES:

① RECOMMENDED SIGNING TO BE USED THRU LANE TAPER IS (1) CW1-8 ON EVERY OTHER DRUM.

② RECOMMENDED SIGNING TO BE USED THRU TANGENT LANES IS (1) R4-7A(R) OR (1) R4-7A(L) (AS APPLIES) ON EVERY OTHER DRUM.

L = TAPER LENGTH IN FEET
W = WIDTH OF OFFSET IN FEET
S = POSTED SPEED OR OFF-PEAK 85 PERCENTILE SPEED IN MPH

TYPE OF TAPER
UPSTREAM TAPERS
MERGING TAPER
SHIFTING TAPER
SHOULDER TAPER
TWO-WAY TRAFFIC TAPER

TAPER LENGTH
L MINIMUM
1/2 L MINIMUM
1/3 L MINIMUM
100 FEET MAXIMUM
100 FEET PER LANE (USE IS OPTIONAL)

FLARE RATES FOR CONCRETE MEDIAN BARRIER IN TEMPORARY TRAFFIC CONTROL ZONES

SPEED *	FLARE RATE (MINIMUM)
40 M.P.H.	9 TO 1
45 M.P.H.	10 TO 1
50 M.P.H.	11 TO 1
55 M.P.H.	12 TO 1
60 M.P.H.	13 TO 1
65 M.P.H.	14 TO 1
70 M.P.H.	15 TO 1
75 M.P.H.	16 TO 1

* POSTED SPEED LIMIT PRIOR TO CONSTRUCTION

PAVEMENT MARKINGS THROUGH TEMPORARY TRAFFIC CONTROL ZONE

DRIVING SURFACE		FLEX TAB MARKERS	TAPE (REMOVABLE)	TAPE (NON-REMOVABLE)	PAINT	CONSTRUCTION ZONE PAVEMENT MARKERS
ASPHALT	EXISTING PAVEMENT TO BE REMOVED OR OVERLAYED IN THE NEXT PHASE	X	X	X	X	X
	EXISTING PAVEMENT TO BE LEFT IN PLACE THRU THE NEXT PHASE	X	X			X
	INTERMEDIATE LIFT	X	X	X	X	X
	MILLED SURFACE	X	X	X	X	X
CONCRETE	FINAL LIFT	X	X			
	EXISTING PAVEMENT TO BE REMOVED OR OVERLAYED IN THE NEXT PHASE	X	X	X	X	X
	EXISTING PAVEMENT TO BE LEFT IN PLACE THRU THE NEXT PHASE	X	X			X
	FINAL SURFACE	X	X		X	X

NOTE: USE OF NON-REMOVABLE TAPE (FOILBACK) SHALL BE LIMITED TO THOSE CONDITIONS SHOWN IN THE TABLE.

RECOMMENDED CLEAR ZONE DISTANCE (FT) (CONSTRUCTION WORK ZONES)

DESIGN SPEED	DESIGN ADT	FILL SLOPES			CUT SLOPES		
		6:1 OR FLATTER	5:1 OR 4:1	3:1	3:1	4:1 OR 5:1	6:1 OR FLATTER
40 MPH OR LESS	UNDER 750	4	4	SEE NOTE 3	4	4	4
	750-1500	5	6		5	5	5
	1500-6000	6	7		6	6	6
	OVER 6000	7	8		7	7	7
45-50 MPH	UNDER 750	5	6		4	4	5
	750-1500	7	8		5	6	7
	1500-6000	8	10		6	7	8
	OVER 6000	10	12		7	9	10
55 MPH	UNDER 750	6	7		4	5	5
	750-1500	8	10		5	7	8
	1500-6000	10	12	7	8	10	
	OVER 6000	11	13	8	10	11	
60 MPH	UNDER 750	8	10	5	6	7	
	750-1500	10	13	6	8	10	
	1500-6000	13	16 *	7	9	12	
	OVER 6000	15	18 *	10	12	13	
65-70 MPH	UNDER 750	9	10	5	7	7	
	750-1500	12	14	6	9	10	
	1500-6000	14	17 *	8	11	13	
	OVER 6000	15	19 *	11	13	14	

NOTES:

* THE CLEAR ZONE MAY BE LIMITED TO 15 FEET FOR PRACTICALITY AND TO PROVIDE A CONSISTENT ROADWAY TEMPLATE.

(1) ALL DISTANCES ARE MEASURED FROM EDGE OF THE TRAVEL LANE.

(2) FOR CLEAR ZONES, THE "DESIGN ADT" WILL BE THE TOTAL ADT ON TWO-WAY ROADWAYS AND DIRECTIONAL ADT ON ONE-WAY ROADWAYS (E.G., RAMPS AND ONE ROADWAY OF A DIVIDED HIGHWAY).

(3) FILL SLOPES WHICH ARE 3:1 OR STEEPER ARE CRITICAL AND MAY REQUIRE A BARRIER. THEREFORE THERE IS NOT A CLEAR ZONE APPLICATION.

STOPPING SIGHT DISTANCE AS A FUNCTION OF SPEED

SPEED * (MPH)	LENGTH (FEET)
20 M.P.H.	115
25 M.P.H.	155
30 M.P.H.	200
35 M.P.H.	250
40 M.P.H.	305
45 M.P.H.	360
50 M.P.H.	425
55 M.P.H.	495
60 M.P.H.	570
65 M.P.H.	645
70 M.P.H.	730
75 M.P.H.	820

* POSTED SPEED, OFF-PEAK 85th PERCENTILE SPEED PRIOR TO WORK STARTING, OR THE ANTICIPATED OPERATING SPEED.

CROSSOVER CRITERIA FOR WORK ZONES

WIDTH OF MEDIAN (W) (FT)	LATERAL SHIFT - (P) (FT)	LENGTH OF CROSSOVER - LC * (FT)											
		V.	30 M.P.H.	35 M.P.H.	40 M.P.H.	45 M.P.H.	50 M.P.H.	55 M.P.H.	60 M.P.H.	65 M.P.H.	70 M.P.H.	75 M.P.H.	
		D.	15°	11°	8°	6°	5°	4°	3°	2.5°	2°	1.8°	
20	32	R.	382	521	716	955	1146	1433	1910	2292	2865	3183	
30	42		219	256	301	348	382	427	493	541	605	637	
40	52		250	293	344	398	437	489	565	619	692	730	
50	62		277	325	382	443	485	543	628	688	770	812	
60	72		301	354	417	483	529	593	685	751	841	886	
70	82		324	381	448	519	570	638	738	809	905	955	
80	92		344	405	478	554	608	681	787	863	966	1,018	
90	102		363	428	505	586	643	720	833	914	1,023	1,078	
100	112		381	450	531	616	676	758	877	962	1,076	1,135	
110	122		398	470	555	644	708	793	918	1,007	1,127	1,189	
120	132		414	489	578	672	738	827	958	1,050	1,176	1,240	
			429	508	601	698	767	860	995	1,092	1,223	1,290	

* CROSSOVER = REVERSE CURVE CONNECTION TYING TWO (2) PARALLEL ROADWAYS.

RECOMMENDED DISTANCE BETWEEN SIGNS (MIN.)

ROAD TYPE	A (FT)	B (FT)	C (FT)
URBAN (LOW SPEED)	100	100	100
URBAN (HIGH SPEED)	350	350	350
RURAL	500	500	500
EXPRESSWAY / FREEWAY	1,000	1,500	2,640

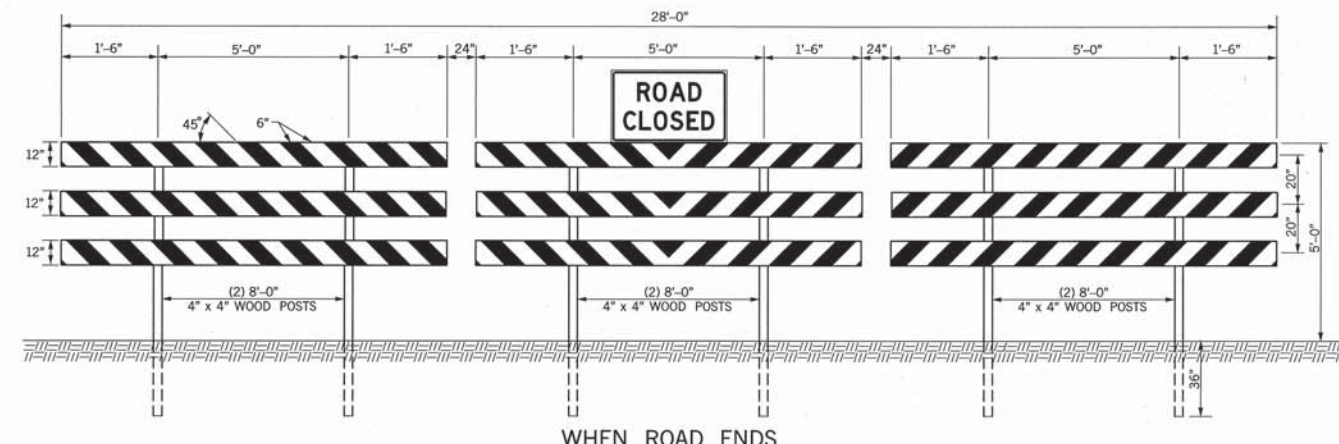


APPROVED BY
TRAFFIC ENGINEER: *David Smith* DATE: 6/23/10

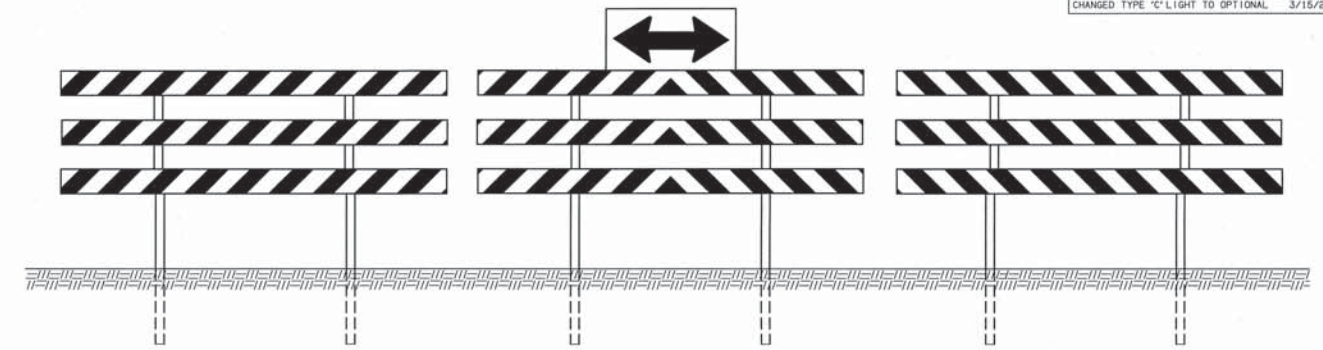
TRAFFIC STANDARD
TRAFFIC CONTROL STANDARD
TRAFFIC CONTROL TABLES AND CHARTS

TRFPC36 M:\2009_Standards_TC\502.dgn 6/23/2010 8:22:34 AM R:\TRAF_PLOT\eroy.pen R:\TRAF_PLOT\bw.cb

DESCRIPTION	REVISIONS	DATE
CHANGED TYPE 'C' LIGHT TO OPTIONAL		3/16/2011



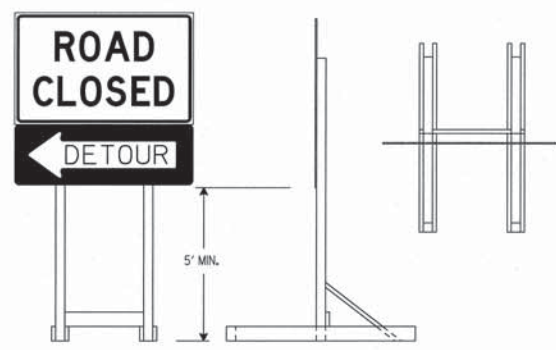
PERMANENT TYPE III(A/B) BARRICADE
(DIMENSIONS ARE TYPICAL FOR BOTH BARRICADES)



FOR T-INTERSECTIONS

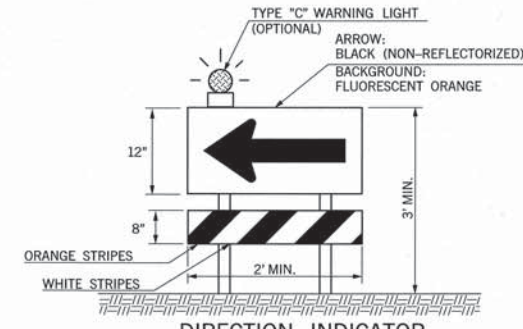
NOTES: A PERMANENT BARRICADE TYPE III(A) SHALL CONSIST OF NINE (9) PANELS AND SIX (6) POSTS.
TYPICAL INSTALLATION AS SHOWN IS FOR AN ABSOLUTE CLOSURE.
BARRICADES SHOULD NOT BE PLACED PARALLEL TO TRAFFIC IF NOT OUTSIDE OF CLEAR ZONE.

PERMANENT BARRICADE TYPE III(B) WILL BE IDENTICAL TO TYPE III(A) WITH NINE (9) ADDITIONAL REFLECTORIZED 3/4"x12" LUMBER PANELS ATTACHED TO THE BACK SIDE OF THE BARRICADE.
COLOR: BACKGROUND - WHITE (REFLECTORIZED)
DIAGONAL STRIPES - RED (REFLECTORIZED)

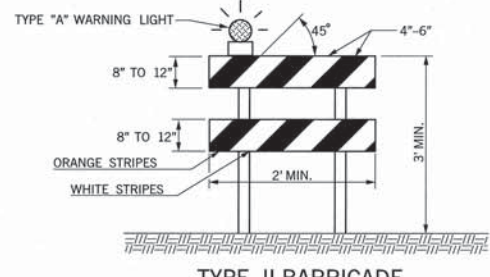


Skid-Mounted Sign Support with plywood sign

LONG INTERMEDIATE TERM STATIONARY PORTABLE SIGN SUPPORTS
5 Foot Mounting Height (SKID MOUNTED)
(SHALL BE PLACED BEHIND TYPE III BARRICADE)



DIRECTION INDICATOR BARRICADE



TYPE II BARRICADE

NOTES: FOR WOODEN BARRICADES NOMINAL LUMBER DIMENSIONS WILL BE SATISFACTORY.
FOR RAILS LESS THAN 3 FEET LONG, 4 INCH WIDE STRIPES SHALL BE USED.
TYPE III BARRICADES SHALL BE CONSTRUCTED USING A MINIMUM OF TWO (2) POSTS.
FOR WOODEN BARRICADES, PANEL THICKNESS SHALL NOT EXCEED ONE-HALF INCH (1/2").
BARRICADES SHOULD NOT BE PLACED PARALLEL TO TRAFFIC IF NOT OUTSIDE OF CLEAR ZONE.
PROJECTS WITH WORK LIMITS OF 2.0 MILES OR MORE IN LENGTH WILL REQUIRE THE G20-1A SIGN. THE SIGN (G20-1A) WILL BE REQUIRED ON ONE SIDE OF A 2-LANE ROADWAY AND BOTH SIDES OF A DIVIDED HIGHWAY.
ALL BARRICADE STRIPES SHALL BE RETROREFLECTIVE.
COLOR: BACKGROUND - WHITE (REFLECTORIZED)
DIAGONAL STRIPES - FLUORESCENT ORANGE (REFLECTORIZED)

IF BARRICADES ARE USED TO CHANNELIZE PEDESTRIANS, THERE SHALL BE CONTINUOUS DETECTABLE BOTTOM AND TOP RAILS WITH NO GAPS BETWEEN INDIVIDUAL BARRICADES TO BE DETECTABLE TO USERS OF LONG CANES. THE BOTTOM OF THE BOTTOM RAIL SHALL BE NO HIGHER THAN 6 INCHES ABOVE THE GROUND SURFACE. THE TOP OF THE TOP RAIL SHALL BE NO LOWER THAN 36 INCHES ABOVE THE GROUND SURFACE.

SIGNS MOUNTED ON TYPE III BARRICADES SHOULD NOT COVER MORE THAN 50 PERCENT OF THE TOP TWO RAILS OR 33 PERCENT OF THE TOTAL AREA OF THE THREE RAILS
SIGNS MOUNTED ON BARRICADES, OR OTHER PORTABLE SUPPORTS, SHALL BE NO LESS THAN 1' ABOVE THE TRAVELED WAY.

SANDBAGS MAY BE PLACED ON LOWER PARTS OF THE FRAME OR THE STAYS OF BARRICADES TO PROVIDE THE REQUIRED BALLAST.

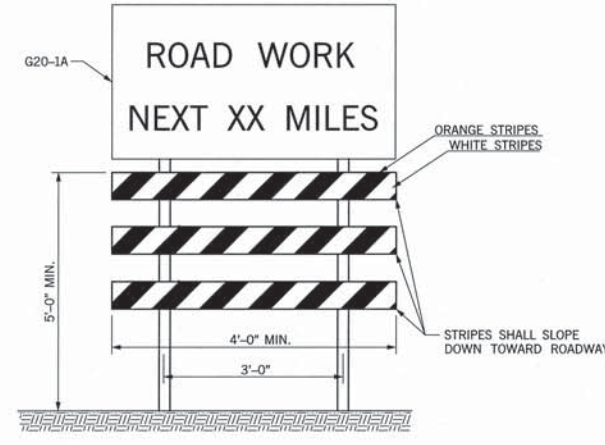
BALLAST SHALL NOT BE PLACED ON TOP OF ANY STRIPED RAIL. BARRICADES SHALL NOT BE BALLASTED BY NONDEFORMABLE OBJECTS SUCH AS ROCKS OR CHUNKS OF CONCRETE. BALLAST SHALL NOT EXTEND INTO THE ACCESSIBLE PASSAGE WIDTH OF 60".

DIRECTION INDICATOR BARRICADE SHALL CONSIST OF A ONE-DIRECTION LARGE ARROW (W1-6) SIGN MOUNTED ABOVE A DIAGONAL STRIPED, HORIZONTALLY ALIGNED, RETROREFLECTIVE RAIL.

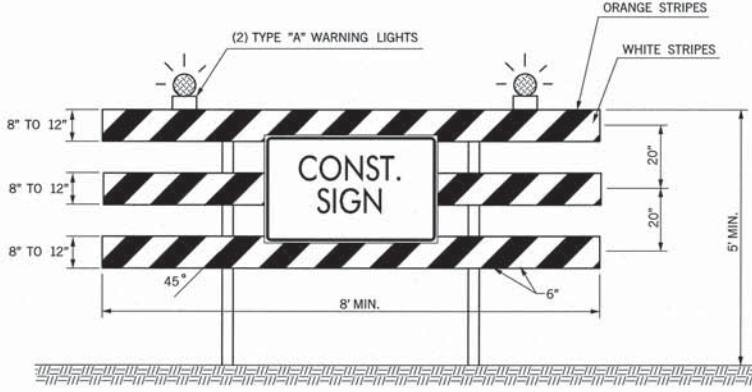
WHERE BARRICADES EXTEND ENTIRELY ACROSS A ROADWAY, THE STRIPES SHOULD SLOPE DOWNWARD IN THE DIRECTION TOWARD WHICH ROAD USERS MUST TURN.

WHERE BOTH RIGHT AND LEFT TURNS ARE PROVIDED, THE BARRICADE STRIPES SHOULD SLOPE DOWNWARD IN BOTH DIRECTIONS FROM THE CENTER OF THE BARRICADE OR BARRICADES.

WHERE NO TURNS ARE INTENDED, THE STRIPES SHOULD BE POSITIONED TO SLOPE DOWNWARD TOWARD THE CENTER OF THE BARRICADE OR BARRICADES.

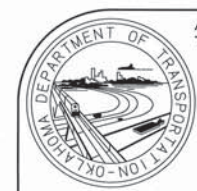


WING BARRICADE



TYPE III BARRICADE

BASIS OF PAYMENT		
ITEM NO.	ITEM	UNIT
880(B)	CONSTRUCTION SIGNS	SD
880(C)	CONSTRUCTION BARRICADES	SD
880(E)	WARNING LIGHTS	SD



APPROVED BY TRAFFIC ENGINEER: *[Signature]* DATE: 3/21/11

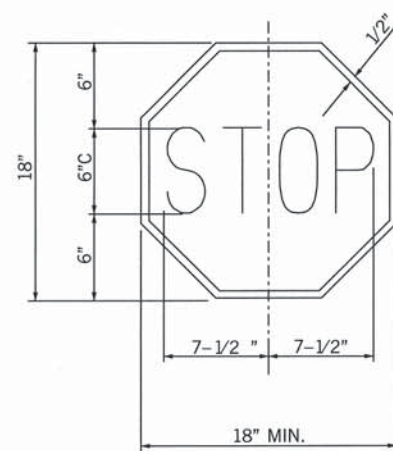
TRAFFIC STANDARD
TRAFFIC CONTROL STANDARD
TRAFFIC CONTROL DEVICES

2009 SPECIFICATIONS

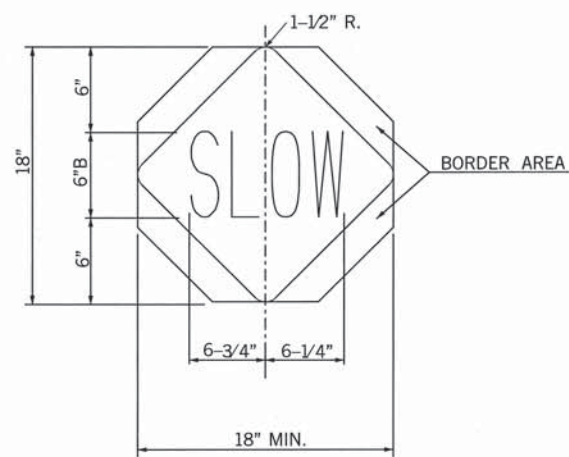
TCS4-1	01
	T-504

\$\$\$date\$\$\$

DESCRIPTION	REVISIONS	DATE

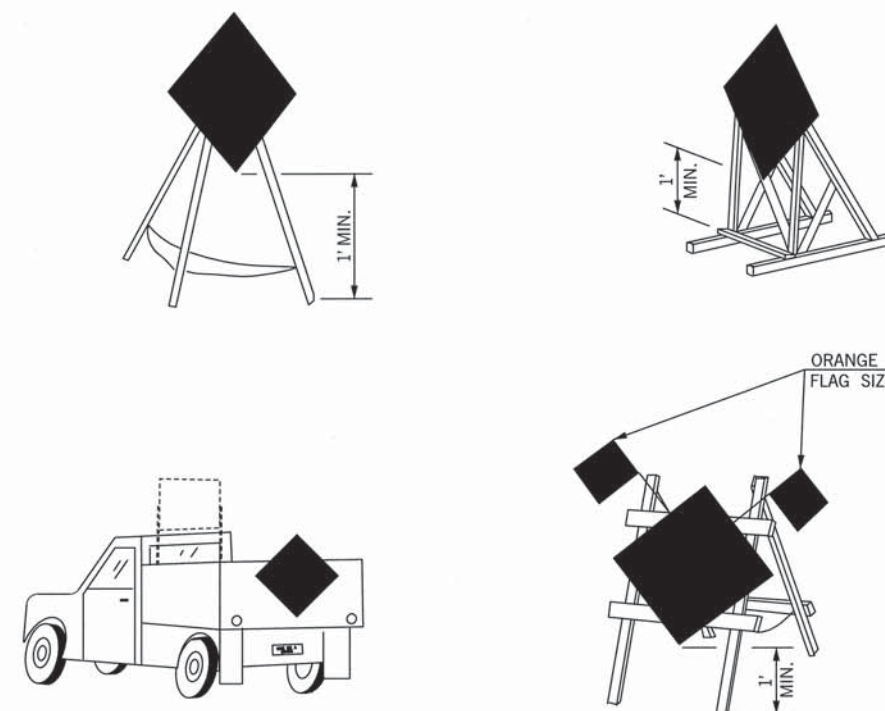


STOP:
 LEGEND AND BORDER: WHITE (REFLECTORIZED)
 BACKGROUND: RED (REFLECTORIZED)



SLOW:
 LEGEND AND BORDER AREA: BLACK (NON-REFLECTORIZED)
 BACKGROUND: ORANGE (REFLECTORIZED)

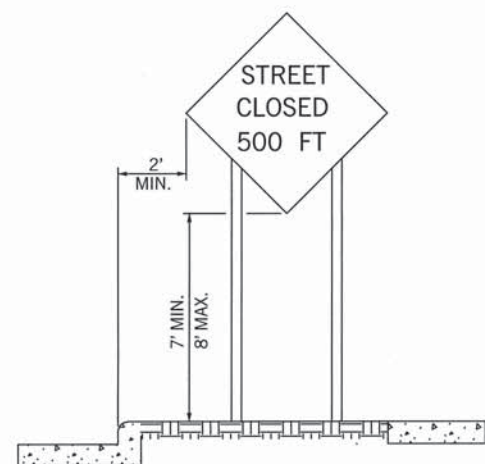
STOP-SLOW PADDLE



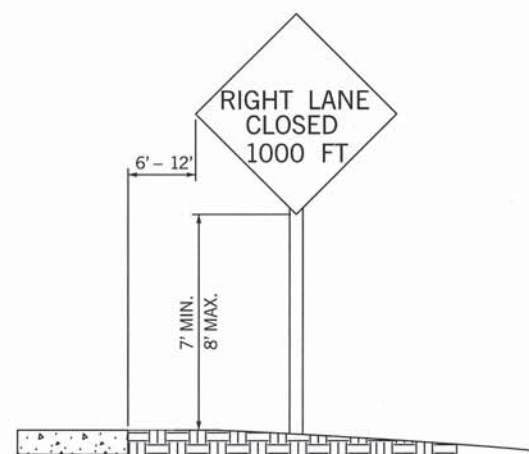
ORANGE FLAGS (OPTIONAL)
 FLAG SIZE 16" x 16" (MIN.)

NOTE:
 THE BOTTOM OF SIGNS MOUNTED
 ON BARRICADES OR TEMPORARY
 SUPPORTS SHALL NOT BE LESS THAN
 1 FOOT ABOVE THE TRAVELED WAY.

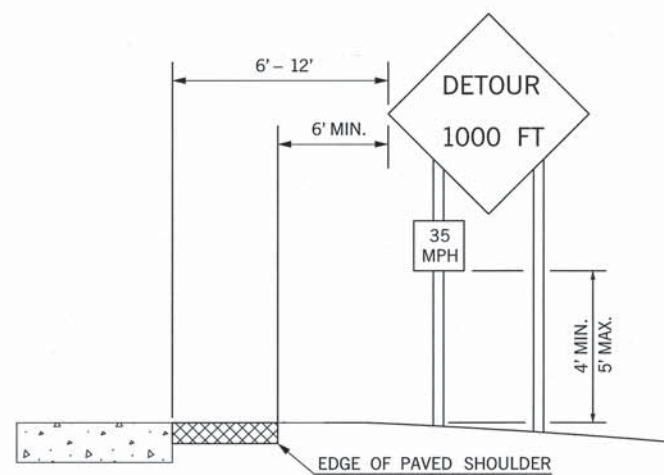
**PORTABLE AND TEMPORARY MOUNTINGS
 METHODS OF MOUNTING SIGNS OTHER THAN ON POSTS**



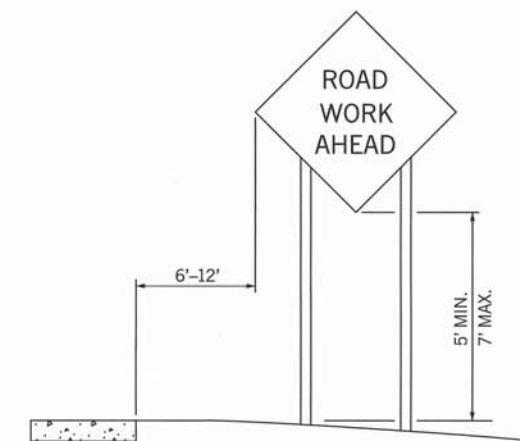
**URBAN DISTRICT
 (WITH CURB)**



**URBAN DISTRICT
 (WITHOUT CURB)**



**RURAL DISTRICT WITH
 ADVISORY SPEED PLATE**



RURAL DISTRICT

HEIGHT AND LATERAL LOCATIONS OF SIGNS – TYPICAL INSTALLATIONS

TRFFC36 M:\2009_Standards_TC\505.dgn 8:24:30 AM 6/23/2010 R:\TBAF_PLOT\teroy.pen R:\TBAF_PLOT\bw.ctb



APPROVED BY
 TRAFFIC ENGINEER: *David G. Smith* DATE: 6/23/10

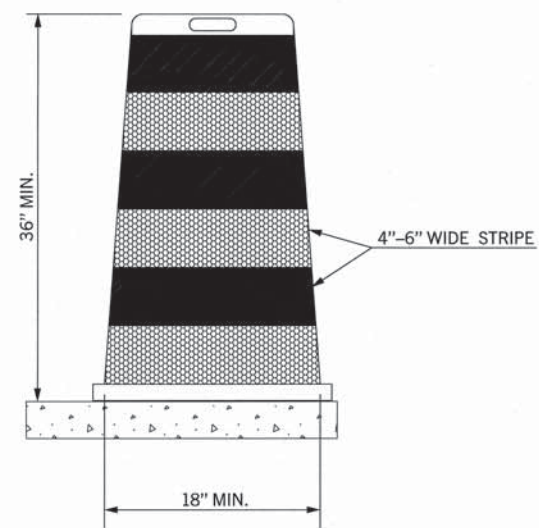
TRAFFIC STANDARD

TRAFFIC CONTROL STANDARD
 TYPICAL SIGN INSTALLATION

2009 SPECIFICATIONS

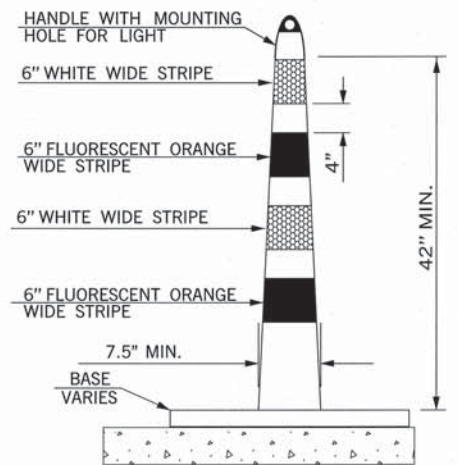
TCSS-1	00
T-505	

DESCRIPTION	REVISIONS	DATE
ADD NOTE TO VERTICAL PANEL		07/19/10
CHANGED TYPE "C" LIGHT TO OPTIONAL		3/15/2011



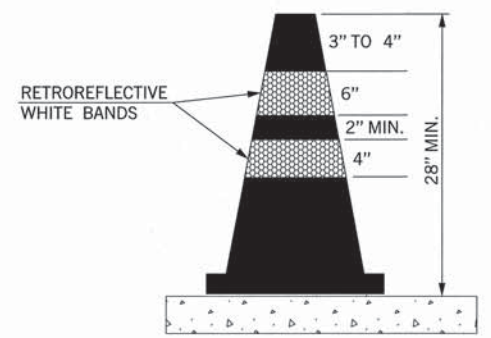
DRUM

NOTES:
 METAL DRUMS SHALL NOT BE USED.
 EACH DRUM SHALL HAVE A MINIMUM OF TWO (2) FLUORESCENT ORANGE STRIPES ALTERNATING WITH A MINIMUM OF TWO (2) WHITE STRIPES. THESE STRIPES SHALL CONSIST OF RETROREFLECTIVE SHEETING.
 BALLAST SHALL NOT BE PLACED ON TOP OF A DRUM.
 DRUMS SHALL NOT BE USED TO DELINEATE AN EDGE DROP OFF IF THEY MUST BE PLACED IN THE DROP OFF AREA BELOW THE LEVEL OF THE DRIVING SURFACE.



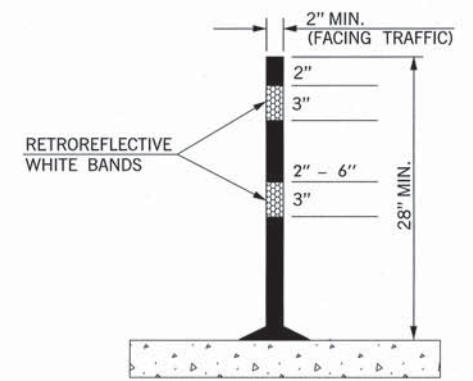
CHANNELIZER CONE

NOTES:
 CHANNELIZER CONES USED ON HIGH SPEED ROADWAYS, ON ALL HIGHWAYS DURING NIGHTTIME, OR WHENEVER MORE CONSPICUOUS GUIDANCE IS NEEDED SHALL BE A MINIMUM OF 42 INCHES HIGH.
 EACH CHANNELIZER CONES SHALL HAVE A MINIMUM OF TWO (2) FLUORESCENT ORANGE STRIPES ALTERNATING WITH A MINIMUM OF TWO (2) WHITE STRIPES. THESE STRIPES SHALL CONSIST OF RETROREFLECTIVE SHEETING.
 BASE SHALL WEIGH 30 LBS. OR MORE.



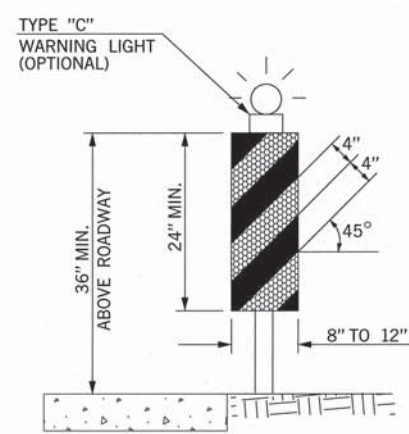
CONE

NOTES:
 CONES USED ON HIGH SPEED ROADWAYS, ON ALL HIGHWAYS DURING NIGHTTIME, OR WHENEVER MORE CONSPICUOUS GUIDANCE IS NEEDED SHALL BE A MINIMUM OF 28 INCHES HIGH.
 CONES SHALL BE PREDOMINANTLY ORANGE, WITH WHITE RETROREFLECTIVE SHEETING.



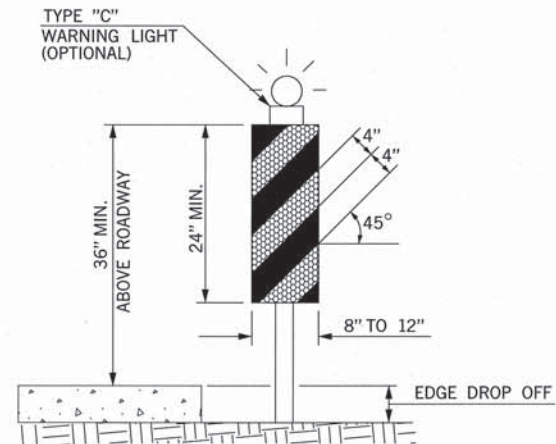
TUBE CHANNELIZER

NOTES:
 TUBE CHANNELIZERS USED ON HIGH SPEED ROADWAYS, ON ALL HIGHWAYS DURING NIGHTTIME, OR WHENEVER MORE CONSPICUOUS GUIDANCE IS NEEDED SHALL BE A MINIMUM OF 28 INCHES HIGH.
 TUBE CHANNELIZERS SHALL BE PREDOMINANTLY ORANGE, WITH WHITE RETROREFLECTIVE SHEETING.



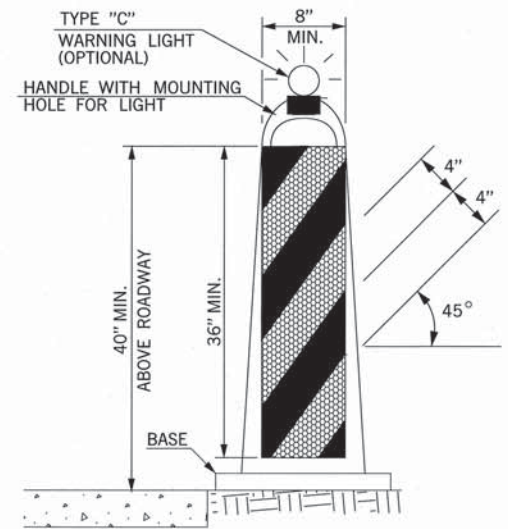
**VERTICAL PANEL
W/O DROP OFF**

NOTES:
 PANEL STRIPE WIDTHS SHALL BE 6 INCHES EXCEPT WHERE PANEL LENGTHS ARE LESS THAN 36 INCHES, THEN 4 INCH WIDE STRIPES MAY BE USED.
 MARKINGS FOR VERTICAL PANELS SHALL BE ALTERNATING FLUORESCENT ORANGE AND WHITE RETROREFLECTORIZED STRIPES (SLOPING DOWNWARD AT AN ANGLE OF 45 DEGREES IN THE DIRECTION TRAFFIC IS TO PASS).
 SHALL HAVE A MINIMUM OF TWO (2) FULL FLUORESCENT ORANGE STRIPES.



**VERTICAL PANEL
W/DROP OFF**

ON UNDIVIDED HIGHWAYS, VERTICAL PANELS SHALL HAVE A MINIMUM OF 192 SQUARE INCHES OF RETROREFLECTIVE SHEETING ON EACH PANEL (FRONT AND BACK). WHEN USED ON HIGH SPEED ROADWAYS, VERTICAL PANELS SHALL HAVE MINIMUM OF 270 SQUARE INCHES OF RETROREFLECTIVE SHEETING ON EACH PANEL (FRONT AND BACK). THIS SHALL CONSTITUTE ONE (1) COMPLETE VERTICAL PANEL.
 ON DIVIDED HIGHWAYS A VERTICAL PANEL MAY HAVE SHEETING ON ONLY ONE SIDE.



STACKABLE VERTICAL PANEL

NOTES:
 (1) VERTICAL PANEL SIGNS SHALL BE MOUNTED BACK TO BACK WHEN USED FOR TWO-WAY TRAFFIC.
 (2) BASE SHALL BE NO LARGER THAN 28" LONG BY 20" WIDE, AND 2" THICK.
 (3) BASE SHALL WEIGHT 30 LBS. OR MORE.
 (4) THESE DEVICES SHALL BE CONSTRUCTED OF A MATERIAL THAT CAN BE STRUCK WITHOUT DAMAGING VEHICLES ON IMPACT.

KEY:

	FLUORESCENT ORANGE (REFLECTORIZED)
	WHITE (REFLECTORIZED)

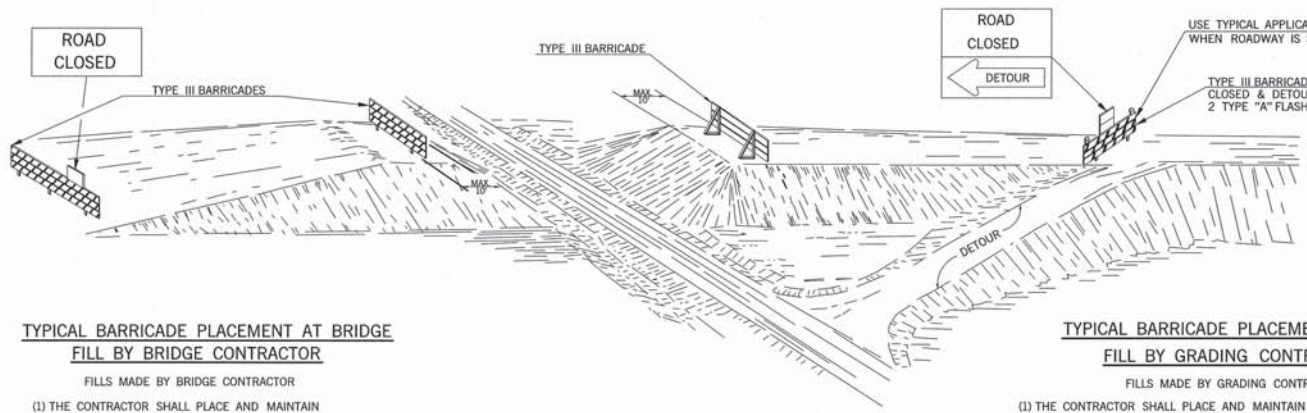
BASIS OF PAYMENT		
ITEM NO.	ITEM	UNIT
880(D)	VERTICAL PANEL	SD
880(E)	WARNING LIGHTS	SD
880(F)	DRUMS	SD
880(G)	TUBE CHANNELIZERS	SD
880(H)	CONES	SD
880(I)	CHANNELIZER CONES	SD



APPROVED BY
 TRAFFIC ENGINEER: *Dwight Smith* DATE: 3/21/11

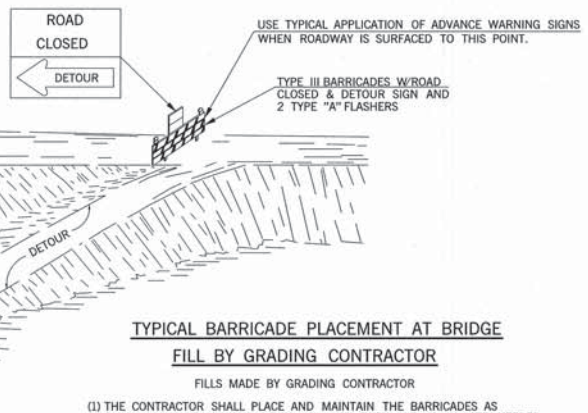
TRAFFIC STANDARD
 CONTROL STANDARD
 CHANNELIZING DEVICES

\$\$\$date\$\$\$



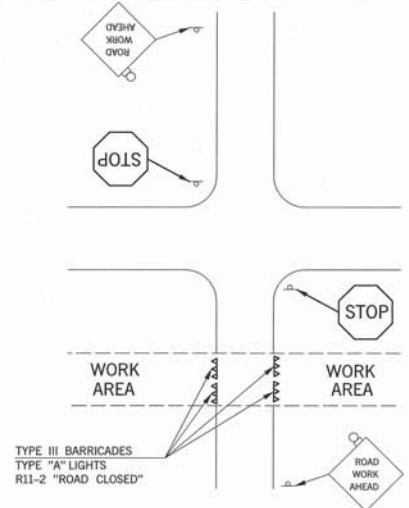
**TYPICAL BARRICADE PLACEMENT AT BRIDGE
FILL BY BRIDGE CONTRACTOR**

- FILLS MADE BY BRIDGE CONTRACTOR
- (1) THE CONTRACTOR SHALL PLACE AND MAINTAIN THE BARRICADES AS SHOWN UNTIL THEY ARE NO LONGER NEEDED.
 - (2) THE CONTRACTOR SHALL NOTIFY THE ENGINEER PRIOR TO REMOVAL OF THE BARRICADES.
 - (3) THE ENGINEER SHALL NOTIFY THE GRADING CONTRACTOR TO FURNISH AND ERECT HIS BARRICADES "IMMEDIATELY" AFTER THE BRIDGE CONTRACTOR REMOVES HIS BARRICADES. THE GRADING CONTRACTOR SHALL MAINTAIN HIS BARRICADES UNTIL FINAL INSPECTION OR UNTIL THEY ARE NO LONGER NEEDED.
 - (4) BARRICADES AT BRIDGE FILL SHALL BE IN PLACE AND MAINTAINED AT ALL TIMES UNTIL OPENED TO TRAFFIC. HOWEVER, BARRICADES MAY BE REMOVED OR ADJUSTED, AS NEEDED, TO ALLOW ACCESS TO THE WORK AREA.



**TYPICAL BARRICADE PLACEMENT AT BRIDGE
FILL BY GRADING CONTRACTOR**

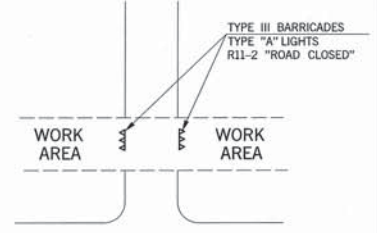
- FILLS MADE BY GRADING CONTRACTOR
- (1) THE CONTRACTOR SHALL PLACE AND MAINTAIN THE BARRICADES AS SHOWN UNTIL FINAL INSPECTION OR UNTIL THEY ARE NO LONGER NEEDED.
 - (2) THE CONTRACTOR SHALL NOTIFY THE ENGINEER PRIOR TO REMOVAL OF THE BARRICADES.
 - (3) IF THE BRIDGE WORK ORDER IS ISSUED PRIOR TO COMPLETION OF THE GRADING CONTRACT, THE BRIDGE CONTRACTOR SHALL MAKE ARRANGEMENTS WITH THE GRADING CONTRACTOR TO ASSUME RESPONSIBILITY FOR PROTECTION OF THE BRIDGE WORK AREA. THIS WILL INCLUDE FURNISHING, INSTALLING, AND MAINTAINING ALL BARRICADES AND SIGNS NECESSARY TO PROVIDE THAT PROTECTION UNTIL THE BRIDGE IS COMPLETED AND THE FINAL INSPECTION IS COMPLETED.
 - (4) IF THE BRIDGE WORK ORDER HAS NOT BEEN ISSUED PRIOR TO THE FINAL INSPECTION OF THE GRADING, THEN THE GRADING CONTRACTOR SHALL MAKE ARRANGEMENTS WITH THE OKLAHOMA DEPARTMENT OF TRANSPORTATION FOR STATE FORCES TO SUPPLY, INSTALL AND MAINTAIN ANY NECESSARY TRAFFIC CONTROL DEVICES NEEDED TO PROTECT THE WORK AREA. THESE STATE OWNED DEVICES SHALL REMAIN IN PLACE UNTIL SUCH TIME THAT THE BRIDGE WORK ORDER IS ISSUED. AT THAT TIME THE BRIDGE CONTRACTOR SHALL ASSUME RESPONSIBILITY FOR TRAFFIC CONTROL AND REPLACE THE STATE OWNED DEVICES WITH HIS OWN.
 - (5) SUFFICIENT NUMBER OF TYPE II BARRICADES WITH SIGNS SHALL BE USED TO COMPLETELY CLOSE THE WORK AREA TO THROUGH TRAFFIC.
 - (6) BARRICADES AT BRIDGE FILL SHALL BE IN PLACE AND MAINTAINED AT ALL TIMES UNTIL OPENED TO TRAFFIC. HOWEVER, BARRICADES MAY BE REMOVED OR ADJUSTED, AS NEEDED, TO ALLOW ACCESS TO THE WORK AREA.



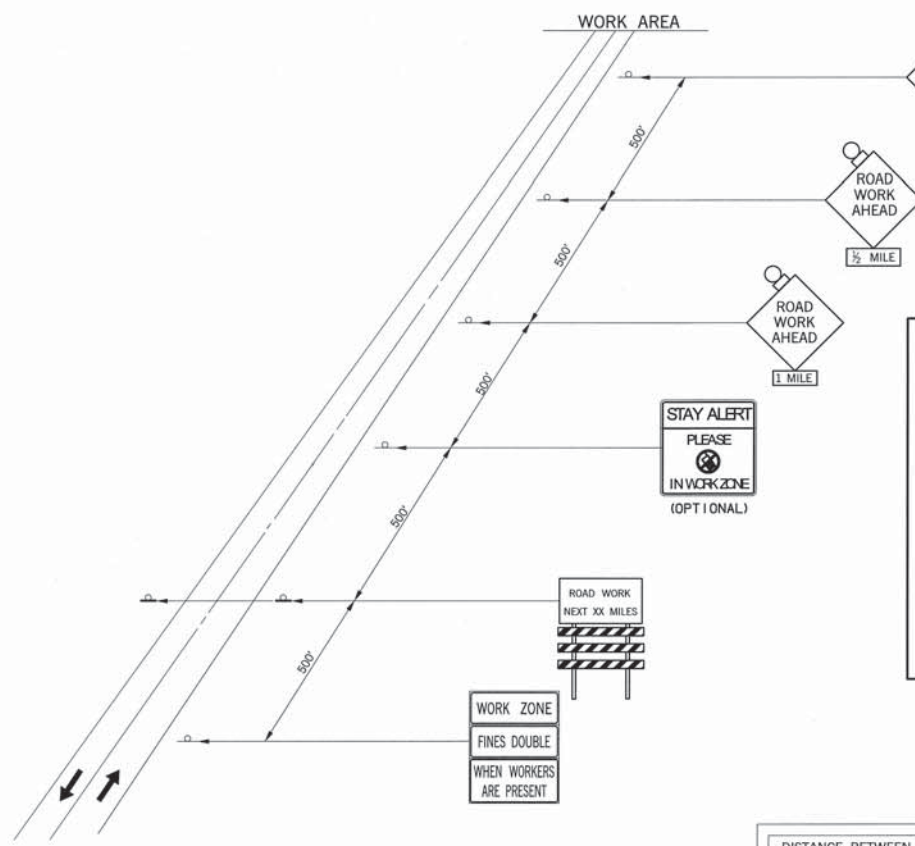
**TYPICAL SIGN PLACEMENT FOR
INTERSECTING ROADS AND STREETS**

- NOTES:
- (1) SIGNS SHOWN FOR ONE DIRECTION OF TRAVEL ONLY.
 - (2) FLASHING WARNING LIGHTS SHALL BE USED TO CALL ATTENTION TO THE EARLY WARNING SIGNS.
 - (3) WARNING LIGHTS SHOULD BE USED TO MARK CHANNELIZING DEVICES AT NIGHT AS NEEDED.
 - (4) PLACEMENT OF TYPE III BARRICADES SHALL BE APPROVED BY THE ENGINEER.
 - (5) TYPE II BARRICADES, DRUMS AND/OR VERTICAL PANELS MAY BE SUBSTITUTED FOR TYPE III BARRICADES TO AVOID OBSTRUCTING THE MOTORISTS VIEW.
 - (6) IF TWO OR MORE DRIVEWAYS ARE IN CLOSE PROXIMITY, THE BARRICADES BETWEEN THE DRIVEWAYS MAY BE OMITTED AT THE DISCRETION OF THE ENGINEER.
 - (7) THE "ROAD WORK AHEAD" SIGN, WHICH SERVES AS A GENERAL WARNING OF OBSTRUCTIONS OR RESTRICTIONS, SHALL BE LOCATED ON ALL INTERSECTING ROADS AND STREETS.

DESCRIPTION	REVISIONS	DATE
MODIFIED NOTE		3/15/2011
ADD "NO CELL PHONE" USAGE IN WORK ZONE DISTANCE SIGN TO WARNING SIGNS		4/2/2013



**TYPICAL SIGN PLACEMENT FOR
PRIVATE DRIVE OR RESIDENCE**



**TYPICAL APPLICATION
ADVANCE WARNING SIGNS ON 2-LANE HIGHWAY**

TYPICAL CONSTRUCTION WARNING SIGNS WITH MESSAGES OTHER THAN DETAILED ON STANDARD DRAWINGS SHALL BE CONSTRUCTED USING THE LARGEST POSSIBLE LETTER SIZE. SIGN SIZE AND COLOR SHALL BE THE SAME AS OTHER CONSTRUCTION WARNING SIGNS USED FOR SIMILAR CONDITIONS.

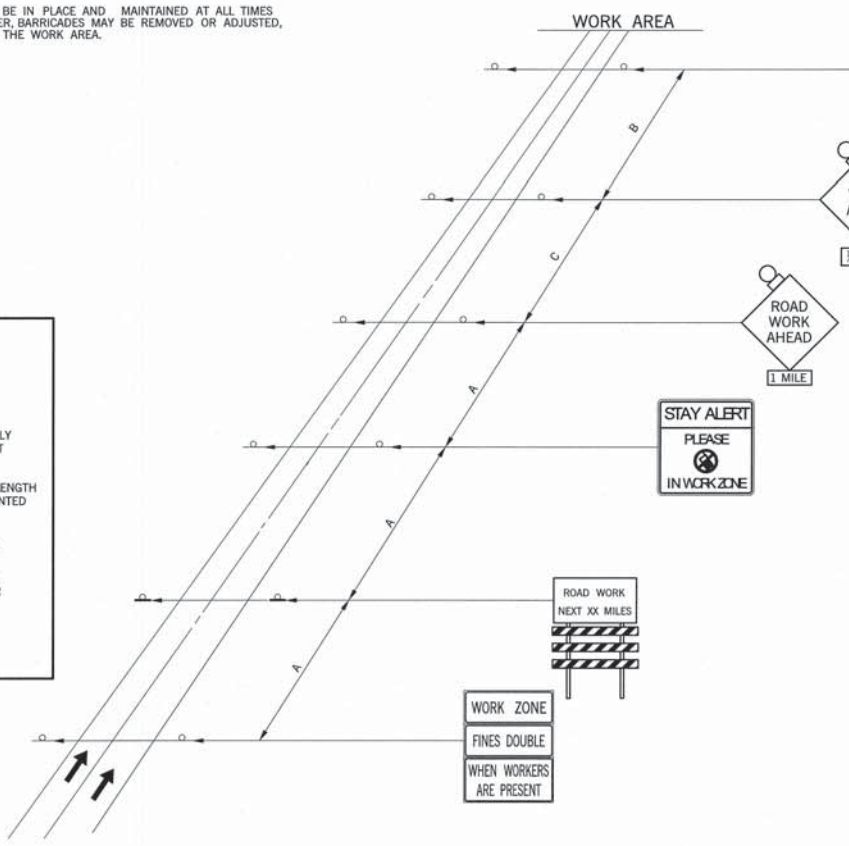
FINES DOUBLE IN WORK ZONE SIGNS ARE TO BE USED ONLY ON STATE OR FEDERAL HIGHWAYS WHERE THE SPEED LIMIT IS REDUCED OR AS DIRECTED BY THE ENGINEER.

PROJECTS WITH WORK LIMITS OF 1.0 MILES OR MORE IN LENGTH WILL REQUIRE THE Q20-1A SIGN. THE SIGN SHALL BE MOUNTED AS SHOWN ON TCS4-1 (LATEST REVISION).

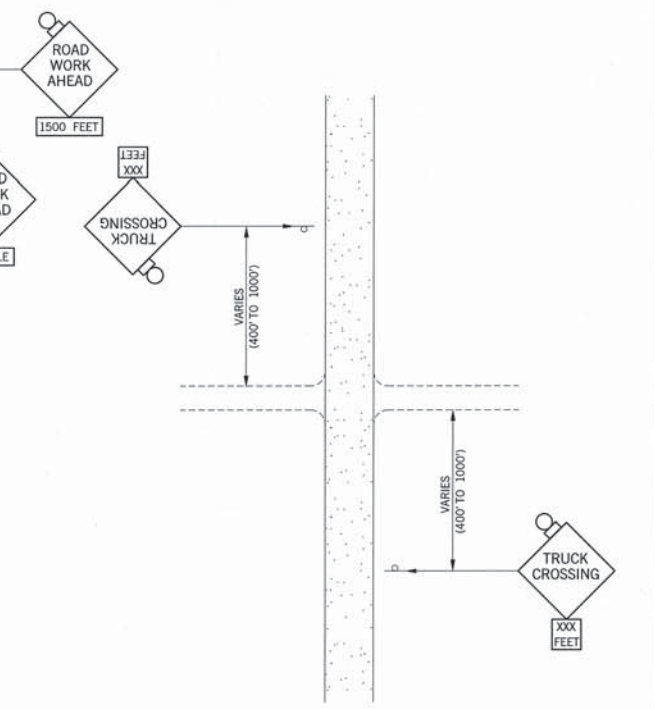
WARNING SIGNS SHOWN ARE "ADVANCE" WARNING SIGNS AND ARE REQUIRED ON ALL STATE HIGHWAYS. ADDITIONAL WARNING SIGNS MAY BE REQUIRED WITHIN THE PROJECT LIMITS TO WARN DRIVERS OF SPECIFIC HAZARDS. ADVANCE "WARNING SIGNS" MAY CHANGE AS CONDITIONS CHANGE OR AS DIRECTED BY THE ENGINEER.

PROJECT WORK OF 1.0 MILE OR MORE IN LENGTH WILL REQUIRE SIGNS CS-14 AND R2-1 TO BE PLACED EVERY 1/2 MILE THROUGH WORK ZONE.

ROAD TYPE	DISTANCE BETWEEN SIGNS SHALL BE A (MIN.)		
	A (FT)	B (FT)	C (FT)
URBAN (LOW SPEED)	100	100	100
URBAN (HIGH SPEED)	350	350	350
RURAL	500	500	500
EXPRESSWAY /FREEWAY	1,000	1,500	2,640



**TYPICAL APPLICATION
ADVANCE WARNING SIGNS ON A DIVIDED HIGHWAY**



**TYPICAL APPLICATION
ADVANCE SIGNING WHERE TRUCKS ARE CROSSING**



APPROVED BY
TRAFFIC ENGINEER: *David S. ...* DATE: 4/18/2013

TRAFFIC STANDARD
TRAFFIC CONTROL STANDARD
PLACEMENT OF ADVANCE
WARNING SIGNS

2009 SPECIFICATIONS

TCS7-1	02
	T-507

\$\$\$date\$\$\$



STOP

R1-1 30 x 30 5.18 SF
R1-1E 36 x 36 7.46 SF
R1-1F 48 x 48 13.26 SF

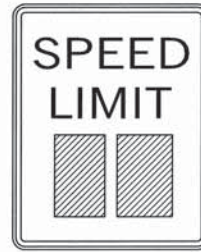
COLOR:
LEGEND AND BORDER:
WHITE (REFLECTORIZED)
BACKGROUND:
RED (TRANSPARENT REFLECTORIZED)



YIELD

R1-2 36 x 36 x 36 3.90 SF
R1-2E 48 x 48 x 48 6.93 SF
R1-2F 60 x 60 x 60 10.83 SF

COLOR:
LEGEND AND BORDER:
RED (TRANSPARENT REFLECTORIZED)
BACKGROUND:
WHITE (REFLECTORIZED)



SPEED LIMIT

R2-1(SPEED) 24 x 30 5.00 SF
R2-1E() 36 x 48 12.00 SF
R2-1F() 48 x 60 20.00 SF

COLOR:
LEGEND AND BORDER:
BLACK (NON-REFLECTORIZED)
BACKGROUND:
WHITE (REFLECTORIZED)



NO RIGHT TURN

R3-1 24 x 24 4.00 SF
R3-1E 36 x 36 9.00 SF
R3-1F 48 x 48 16.00 SF

COLOR:
ARROW AND BORDER:
BLACK (NON-REFLECTORIZED)
CIRCLE AND DIAGONAL:
RED (TRANSPARENT REFLECTORIZED)
BACKGROUND:
WHITE (REFLECTORIZED)



NO LEFT TURN

R3-2 24 x 24 4.00 SF
R3-2E 36 x 36 9.00 SF
R3-2F 48 x 48 16.00 SF

COLOR:
ARROW AND BORDER:
BLACK (NON-REFLECTORIZED)
CIRCLE AND DIAGONAL:
RED (TRANSPARENT REFLECTORIZED)
BACKGROUND:
WHITE (REFLECTORIZED)

DESCRIPTION	REVISIONS	DATE



KEEP RIGHT SIGN

R4-7 24 x 30 5.00 SF
R4-7E 36 x 48 12.00 SF
R4-7F 48 x 60 20.00 SF

COLOR:
LEGEND AND BORDER:
BLACK (NON-REFLECTORIZED)
BACKGROUND:
WHITE (REFLECTORIZED)



KEEP LEFT SIGN

R4-8 24 x 30 5.00 SF
R4-8E 36 x 48 12.00 SF
R4-8F 48 x 60 20.00 SF

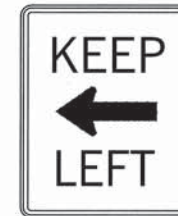
COLOR:
LEGEND AND BORDER:
BLACK (NON-REFLECTORIZED)
BACKGROUND:
WHITE (REFLECTORIZED)



KEEP RIGHT

R4-7a(R) 24 x 30 5.00 SF
R4-7a(R)E 36 x 48 12.00 SF
R4-7a(R)F 48 x 60 20.00 SF

COLOR:
LEGEND AND BORDER:
BLACK (NON-REFLECTORIZED)
BACKGROUND:
WHITE (REFLECTORIZED)



KEEP LEFT

R4-7a(L) 24 x 30 5.00 SF
R4-7a(L)E 36 x 48 12.00 SF
R4-7a(L)F 48 x 60 20.00 SF

COLOR:
LEGEND AND BORDER:
BLACK (NON-REFLECTORIZED)
BACKGROUND:
WHITE (REFLECTORIZED)



DO NOT ENTER

R5-1 30 x 30 6.25 SF
R5-1E 36 x 36 9.00 SF
R5-1F 48 x 48 16.00 SF

COLOR:
SYMBOL: :
RED (TRANSPARENT REFLECTORIZED)
LEGEND AND BACKGROUND: :
WHITE (REFLECTORIZED)



ONE WAY

R6-1(L) 36 x 12 3.00 SF
R6-1E(L) 54 x 18 6.75 SF
R6-1F(L) 54 x 18 6.75 SF

COLOR:
ARROW AND BORDER:
WHITE (NON-REFLECTORIZED)
LEGEND AND BACKGROUND:
BLACK (REFLECTORIZED)



ONE WAY

R6-1(R) 36 x 12 3.00 SF
R6-1E(R) 54 x 18 6.75 SF
R6-1F(R) 54 x 18 6.75 SF

COLOR:
ARROW AND BORDER:
WHITE (NON-REFLECTORIZED)
LEGEND AND BACKGROUND:
BLACK (REFLECTORIZED)



STOP HERE ON RED

R10-6 24 x 36 6.00 SF

COLOR:
LEGEND AND BORDER:
BLACK (NON-REFLECTORIZED)
BACKGROUND:
WHITE (REFLECTORIZED)

NOTES:
WORD SIGNS MAY BE USED IF SYMBOL SIGNS ARE NOT AVAILABLE EITHER IN "STANDARD HIGHWAY SIGNS MANUAL" OR IN THE "MANUAL ON UNIFORM TRAFFIC CONTROL DEVICES" (MUTCD) (CURRENT EDITION).

BASIS OF PAYMENT		
ITEM NO.	ITEM	UNIT
880(B)	CONSTRUCTION SIGNS	SD



APPROVED BY TRAFFIC ENGINEER: *[Signature]* DATE: 6/23/10

TRAFFIC STANDARD
TRAFFIC CONTROL STANDARD
CONSTRUCTION SIGNS

2009 SPECIFICATIONS

TCS8-1 00
T-508



ROAD CLOSED

R11-2 48 x 30 10.00 SF

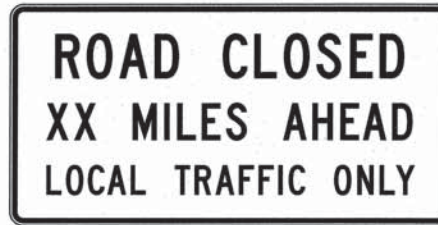
COLOR:
LEGEND AND BORDER:
BLACK (NON-REFLECTORIZED)
BACKGROUND:
WHITE (REFLECTORIZED)



LANE CLOSED

R11-2(LANE) 48 x 30 10.00 SF

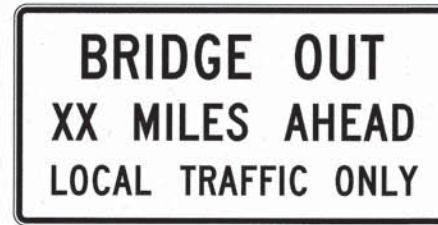
COLOR:
LEGEND AND BORDER:
BLACK (NON-REFLECTORIZED)
BACKGROUND:
WHITE (REFLECTORIZED)



ROAD CLOSED XX MILES AHEAD

R11-3a 60 x 30 12.50 SF

COLOR:
LEGEND AND BORDER:
BLACK (NON-REFLECTORIZED)
BACKGROUND:
WHITE (REFLECTORIZED)



BRIDGE OUT XX MILES AHEAD

R11-3b 60 x 30 12.50 SF

COLOR:
LEGEND AND BORDER:
BLACK (NON-REFLECTORIZED)
BACKGROUND:
WHITE (REFLECTORIZED)



ROAD CLOSED TO THRU TRAFFIC

R11-4 60 x 30 12.50 SF

COLOR:
LEGEND AND BORDER:
BLACK (NON-REFLECTORIZED)
BACKGROUND:
WHITE (REFLECTORIZED)



DETOUR SIGN

M4-8 24 x 12 2.00 SF
M4-8E 30 x 15 3.13 SF

COLOR:
LEGEND AND BORDER:
BLACK (NON-REFLECTORIZED)
BACKGROUND:
FLUORESCENT ORANGE
(REFLECTORIZED)



DETOUR SIGN

M4-9(R) 30 x 24 5.00 SF
M4-9(R)E 48 x 36 12.00 SF
M4-9(R)F 60 x 48 20.00 SF

COLOR:
LEGEND AND BORDER:
BLACK (NON-REFLECTORIZED)
BACKGROUND:
FLUORESCENT ORANGE
(REFLECTORIZED)



DETOUR SIGN

M4-9(L) 30 x 24 5.00 SF
M4-9(L)E 48 x 36 12.00 SF
M4-9(L)F 60 x 48 20.00 SF

COLOR:
LEGEND AND BORDER:
BLACK (NON-REFLECTORIZED)
BACKGROUND:
FLUORESCENT ORANGE
(REFLECTORIZED)



DETOUR SIGN

M4-9(V) 30 x 24 5.00 SF
M4-9(V)E 48 x 36 12.00 SF
M4-9(V)F 60 x 48 20.00 SF

COLOR:
LEGEND AND BORDER:
BLACK (NON-REFLECTORIZED)
BACKGROUND:
FLUORESCENT ORANGE
(REFLECTORIZED)



DETOUR SIGN

M4-10(R) 48 x 18 6.00 SF

COLOR:
LEGEND AND BORDER:
BLACK (NON-REFLECTORIZED)
BACKGROUND:
FLUORESCENT ORANGE
(REFLECTORIZED)



DETOUR SIGN

M4-10(L) 48 x 18 6.00 SF

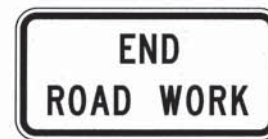
COLOR:
LEGEND AND BORDER:
BLACK (NON-REFLECTORIZED)
BACKGROUND:
FLUORESCENT ORANGE
(REFLECTORIZED)



ROAD WORK NEXT XX MILES SIGN

G20-1A 36 x 18 4.50 SF

COLOR:
LEGEND AND BORDER:
BLACK (NON-REFLECTORIZED)
BACKGROUND:
FLUORESCENT ORANGE
(REFLECTORIZED)



END ROAD WORK SIGN

G20-2A 36 x 18 4.50 SF

COLOR:
LEGEND AND BORDER:
BLACK (NON-REFLECTORIZED)
BACKGROUND:
FLUORESCENT ORANGE
(REFLECTORIZED)



PILOT CAR FOLLOW ME SIGN

G20-4 36 x 18 4.50 SF

COLOR:
LEGEND AND BORDER:
BLACK (NON-REFLECTORIZED)
BACKGROUND:
FLUORESCENT ORANGE
(REFLECTORIZED)

NOTES:
WORD SIGNS MAY BE USED IF SYMBOL SIGNS ARE NOT AVAILABLE EITHER IN "STANDARD HIGHWAY SIGNS MANUAL" OR IN THE "MANUAL ON UNIFORM TRAFFIC CONTROL DEVICES" (MUTCD) (CURRENT EDITION).

ALL DIAMOND SHAPE CONSTRUCTION WARNING SIGNS SHALL BE 48 INCHES X 48 INCHES UNLESS OTHERWISE NOTED IN THE PLANS.

BASIS OF PAYMENT		
ITEM NO.	ITEM	UNIT
880(B)	CONSTRUCTION SIGNS	SD



APPROVED BY
TRAFFIC ENGINEER: *David Gandy* DATE: 3/21/11

TRAFFIC STANDARD
TRAFFIC CONTROL STANDARD
CONSTRUCTION SIGNS

2009 SPECIFICATIONS

TCS9-1 01
T-509

DESCRIPTION	REVISIONS	DATE



ROAD WORK SIGN

W20-1 48 x 48 16.00 SF
 COLOR:
 LEGEND AND BORDER:
 BLACK (NON-REFLECTORIZED)
 BACKGROUND:
 FLUORESCENT ORANGE (REFLECTORIZED)



DETOUR SIGN

W20-2 48 x 48 16.00 SF
 COLOR:
 LEGEND AND BORDER:
 BLACK (NON-REFLECTORIZED)
 BACKGROUND:
 FLUORESCENT ORANGE (REFLECTORIZED)



ROAD CLOSED SIGN

W20-3 48 x 48 16.00 SF
 COLOR:
 LEGEND AND BORDER:
 BLACK (NON-REFLECTORIZED)
 BACKGROUND:
 FLUORESCENT ORANGE (REFLECTORIZED)



STREET CLOSED SIGN

W20-3A 48 x 48 16.00 SF
 COLOR:
 LEGEND AND BORDER:
 BLACK (NON-REFLECTORIZED)
 BACKGROUND:
 FLUORESCENT ORANGE (REFLECTORIZED)



ONE LANE ROAD SIGN

W20-4 48 x 48 16.00 SF
 COLOR:
 LEGEND AND BORDER:
 BLACK (NON-REFLECTORIZED)
 BACKGROUND:
 FLUORESCENT ORANGE (REFLECTORIZED)



LEFT LANE CLOSED SIGN

W20-5(L) 48 x 48 16.00 SF
 COLOR:
 LEGEND AND BORDER:
 BLACK (NON-REFLECTORIZED)
 BACKGROUND:
 FLUORESCENT ORANGE (REFLECTORIZED)



RIGHT LANE CLOSED SIGN

W20-5(R) 48 x 48 16.00 SF
 COLOR:
 LEGEND AND BORDER:
 BLACK (NON-REFLECTORIZED)
 BACKGROUND:
 FLUORESCENT ORANGE (REFLECTORIZED)



FLAGGER SIGN

W20-7 48 x 48 16.00 SF
 COLOR:
 LEGEND AND BORDER:
 BLACK (NON-REFLECTORIZED)
 BACKGROUND:
 FLUORESCENT ORANGE (REFLECTORIZED)



FLAGGER SIGN

W20-7a 48 x 48 16.00 SF
 COLOR:
 LEGEND AND BORDER:
 BLACK (NON-REFLECTORIZED)
 BACKGROUND:
 FLUORESCENT ORANGE (REFLECTORIZED)



WORKERS SIGN

W21-1 48 x 48 16.00 SF
 COLOR:
 LEGEND AND BORDER:
 BLACK (NON-REFLECTORIZED)
 BACKGROUND:
 FLUORESCENT ORANGE (REFLECTORIZED)



FRESH OIL SIGN

W21-2 48 x 48 16.00 SF
 COLOR:
 LEGEND AND BORDER:
 BLACK (NON-REFLECTORIZED)
 BACKGROUND:
 FLUORESCENT ORANGE (REFLECTORIZED)



ROAD MACHINERY AHEAD SIGN

W21-3 48 x 48 16.00 SF
 COLOR:
 LEGEND AND BORDER:
 BLACK (NON-REFLECTORIZED)
 BACKGROUND:
 FLUORESCENT ORANGE (REFLECTORIZED)

NOTES:
 WORD SIGNS MAY BE USED IF SYMBOL SIGNS ARE NOT AVAILABLE EITHER IN "STANDARD HIGHWAY SIGNS MANUAL" OR IN THE "MANUAL ON UNIFORM TRAFFIC CONTROL DEVICES" (MUTCD) (CURRENT EDITION).

ALL DIAMOND SHAPE CONSTRUCTION WARNING SIGNS SHALL BE 48 INCHES X 48 INCHES UNLESS OTHERWISE NOTED IN THE PLANS.

* SUPPLEMENTAL SIGNS SHALL ONLY BE USED IN CONJUNCTION WITH DIAMOND SHAPE CONSTRUCTION WARNING SIGNS. THE SIZE OF SUPPLEMENTAL SIGNS SHALL BE APPROPRIATE FOR USE WITH A 48 INCH X 48 INCH WARNING SIGN UNLESS OTHERWISE NOTED IN THE PLANS.

BASIS OF PAYMENT		
ITEM NO.	ITEM	UNIT
880(B)	CONSTRUCTION SIGNS	SD



APPROVED BY TRAFFIC ENGINEER: *David Smith* DATE: 6/23/10

TRAFFIC STANDARD
 TRAFFIC CONTROL STANDARD
 CONSTRUCTION SIGNS

2009 SPECIFICATIONS

TCS14-1	00
T-514	

TRFPC36 MA\2009_Standard\TC\1514.dgn 8:37:49 AM 6/23/2010 R:\TRAF_PLOT\Veroy\pen_R\TRAF_PLOT\dw.ctb